

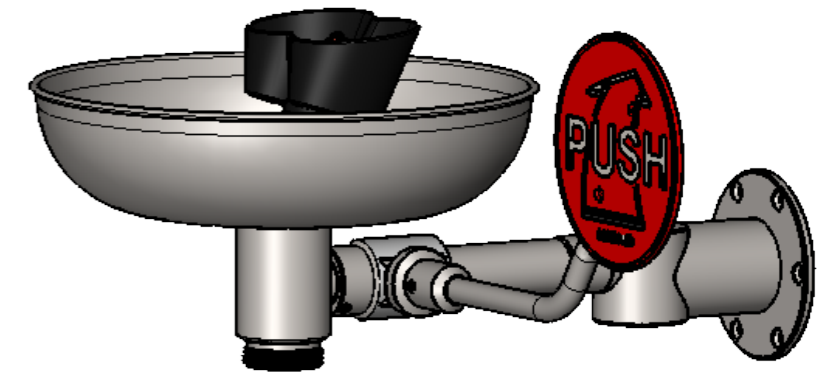
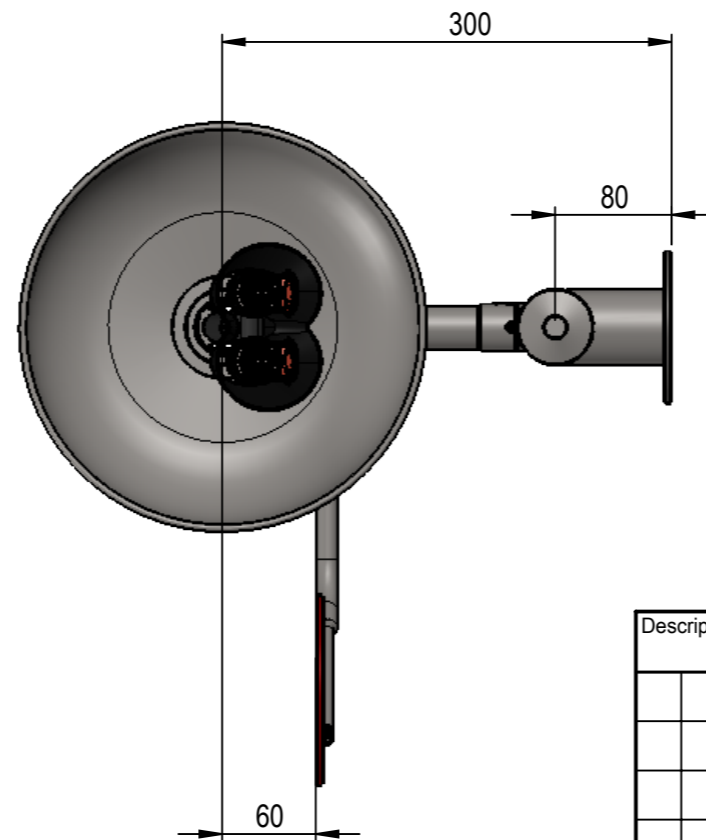
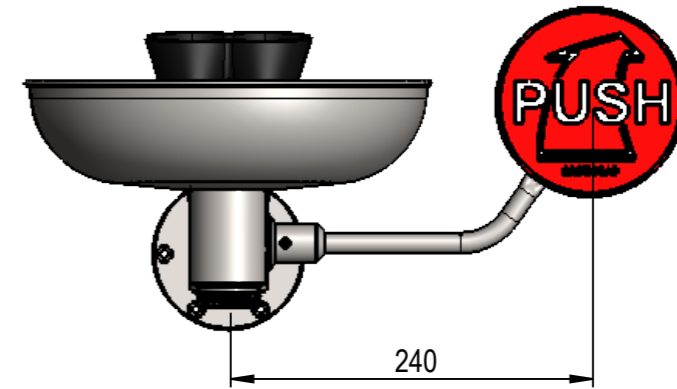
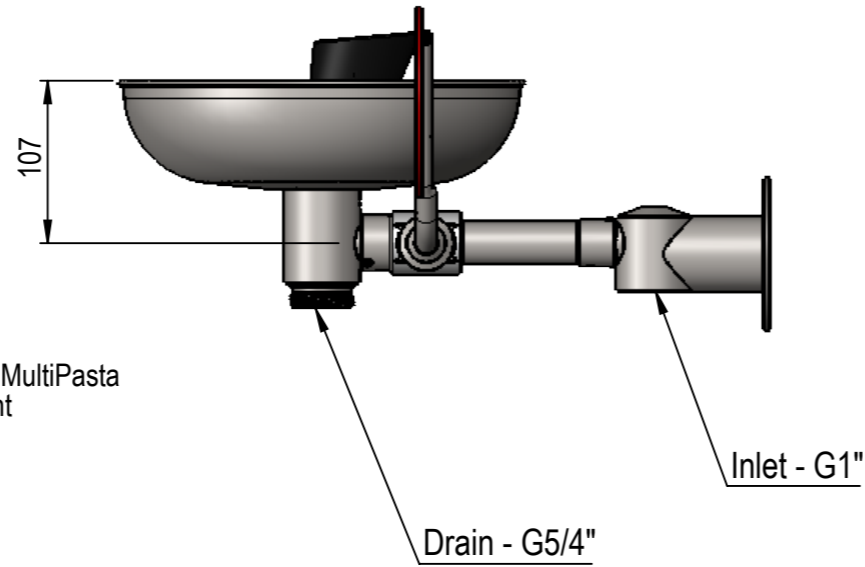
Area of Application:  
 Eye Wash, Wall mounted  
 Min. operation pressure: 1,5 Bar  
 Max. operation pressure: 10 Bar  
 Min. flow 12 l/min  
 Product temperature range 1°C-70°C  
 Operating water temperature range 15°C-37°C (ideal 20°C-25°C)

Details:  
 BROEN-LAB Stainless steel Glass-blasted surface  
 Signs: Safety sign package Eye Shower (17001970)  
 Drain: Male ISO 228/1 - G5/4"  
 Design acc. EN15154-2

Materials in media contact:  
 Main: SS316L, PTFE, Rubber EPDM, Silicone based lubricant, Foodlube MultiPasta  
 Eye Shower: PP, PA6, PPH, TPE, Rubber EPDM, Silicone based lubricant  
 Flow reduction unit: POM, EPDM

Mounting:  
 Wall bracket Ø5,5 x 6 (60°) (See 94G0295)

Inlet / outlet connection:  
 Female ISO 228/1 - G1"  
 Eye Shower Spray Head(s)



Description: Eye Shower Unit, ESS, 316L

						Media:	Water			
						Comments:				
						Drawing type:	Customer model		Weight:	4.052 Kg
Rev.	Pos.	Date	TM No.	Design by	Drawn by:	Designed by:	Drawn by:	Released on TM No.	Date (DD-MM-YY):	
						MJO	MJO		25-06-25	
<b>BROEN-LAB</b> <small>This drawing is our property and cannot be given to a third party, copied or otherwise used without our permission. BROEN-LAB A/S.</small>						Format:	Drawing No.:			
						A3	28330011001006			