

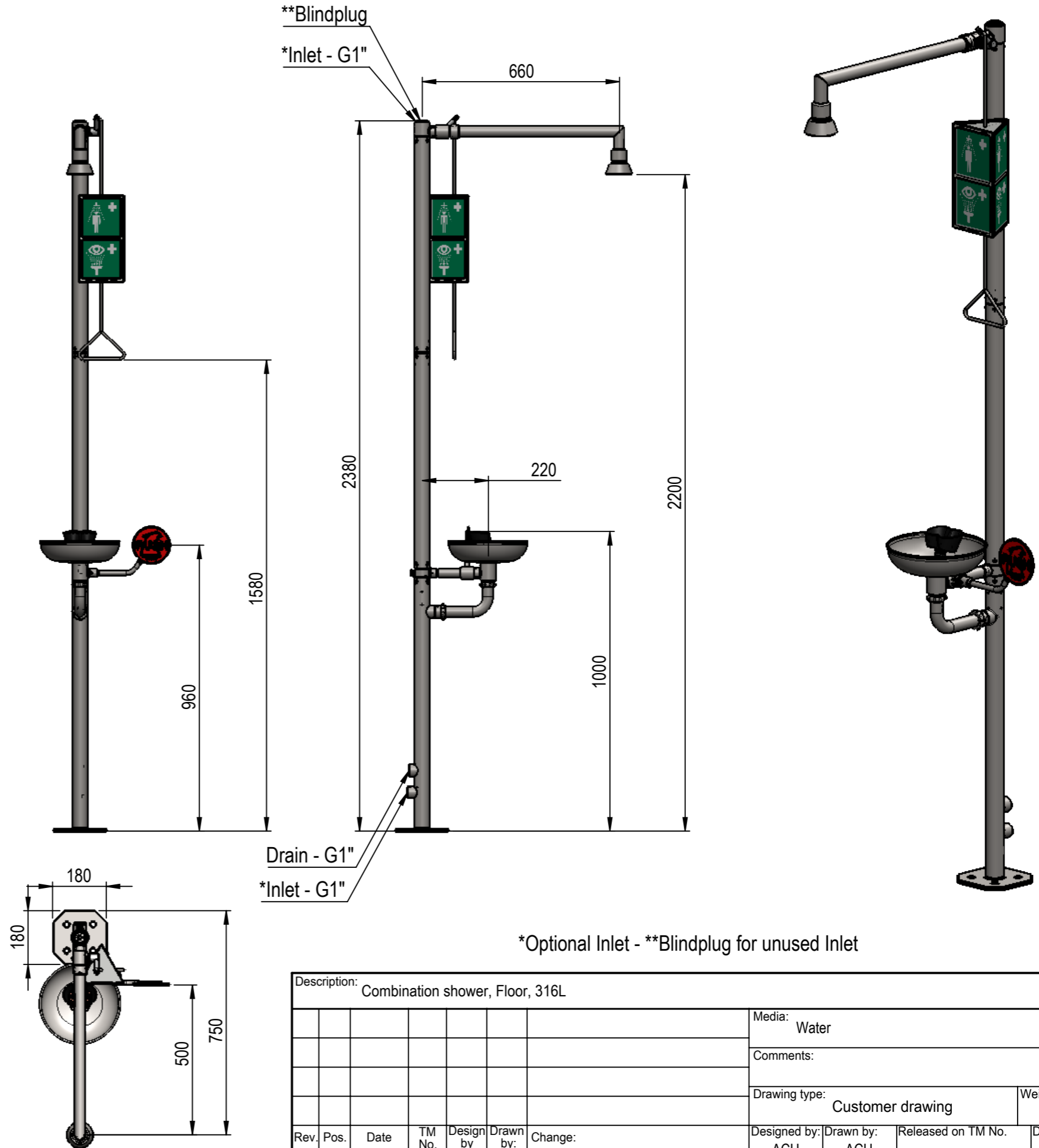
Area of Application:
 Body Shower & Eye Wash, Freestanding
 Min. operation pressure: 1,5 Bar
 Max. operation pressure: 10 Bar
 Min. flow 60 l/min+12 l/min
 Product temperature range 1°C-70°C
 Operating water temperature range 15°C-37°C (ideal 20°C-25°C)

Details:
 BROEN-LAB Stainless steel Glass-blasted surface
 Signs: Safety sign package Combi Shower (17001920)
 Drain: Female ISO 228/1 - G1"
 Design acc. EN15154-1 & EN15154-5 (Class 2 - 60 to 100 l/min)

Materials in media contact:
 Body Shower head: PPO, PP, Rubber EPDM, Silicone based lubricant
 Main: SS316L, PTFE, Rubber EPDM, Silicone based lubricant, Foodlube MultiPasta
 Flow reduction unit: POM, EPDM
 Eye Shower: PP, PA6, PPH, TPE, Rubber EPDM, Silicone based lubricant

Mounting:
 Floor mounting Ø18x4 (90°) (See 94G0299)

Inlet / outlet connection:
 Female ISO 228/1 - G1"
 Body & Eye shower Spray Heads



*Optional Inlet - **Blindplug for unused Inlet

Description: Combination shower, Floor, 316L						Media: Water
						Comments:
Drawing type: Customer drawing					Weight: 21.708 Kg	
Rev.	Pos.	Date	TM No.	Design by	Drawn by	Change:
Designed by: ACH						Drawn by: ACH
Released on TM No.						Date (DD-MM-YY): 20-01-26
BROEN-LAB						Format: A3
This drawing is our property and cannot be given to a third party, copied or otherwise used without our permission. BROEN-LAB A/S.						Drawing No.: 28413031021000