

Area of Application:  
Bench mounted  
Water

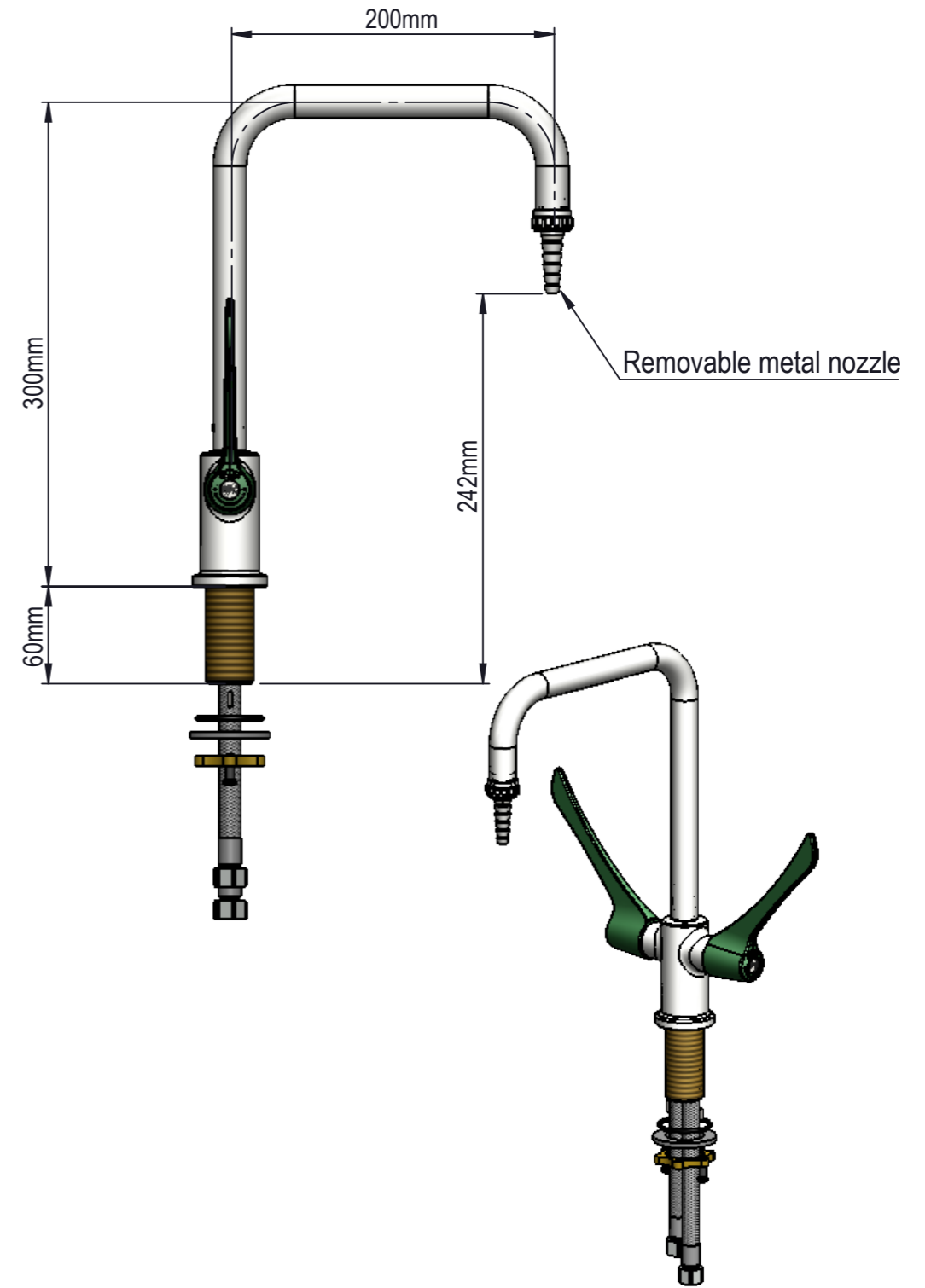
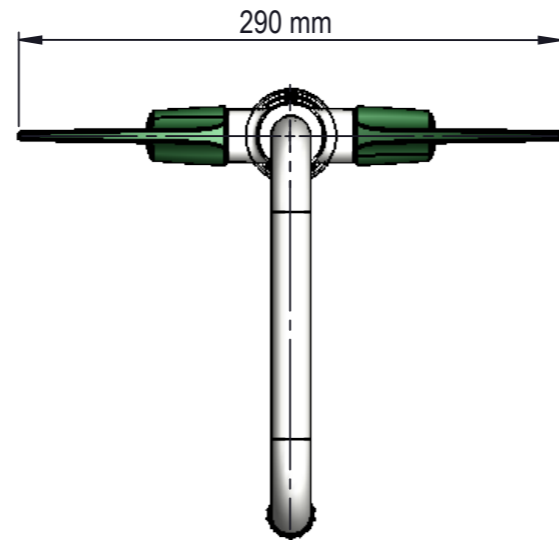
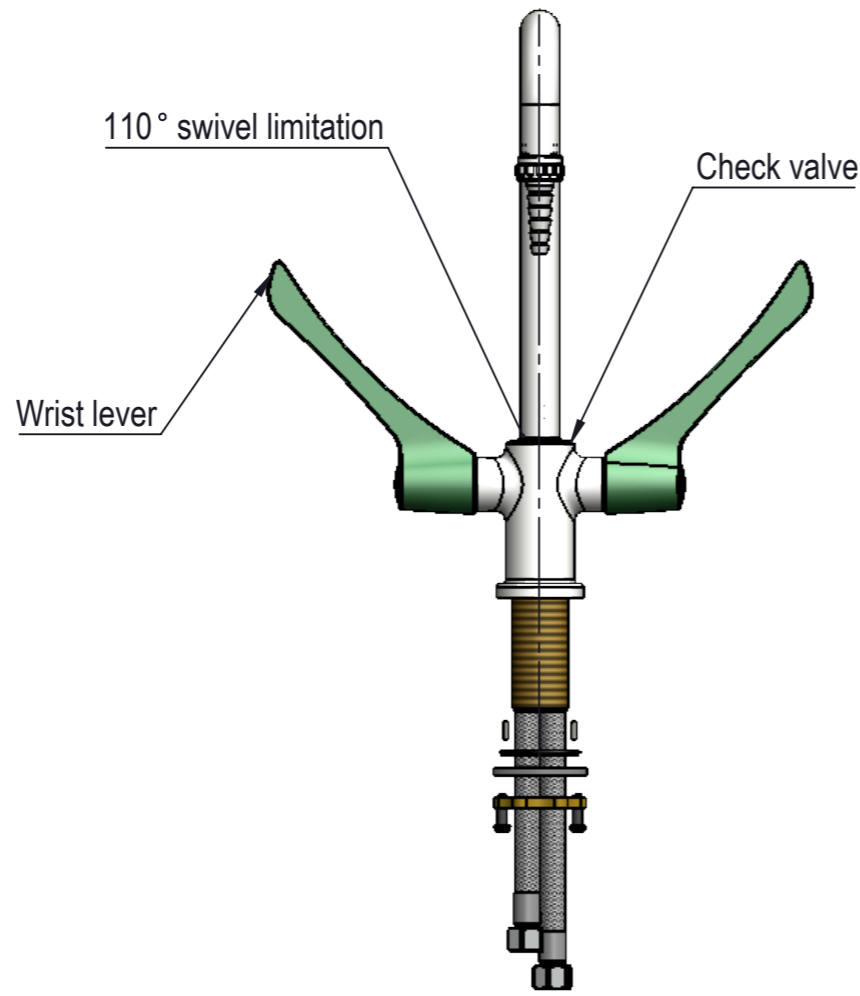
Max. working pressure 10 bar

Details:  
Left turn open 90° ceramic headwork  
3-Zone colour, acc. to EN13792:2002  
Swivel spout 110deg  
1/2" removable nozzle

Materials in media contact:  
Brass  
Rubber. EPDM  
Silicone based lubricant

Mounting:  
M30 nut with locking pinns o-ring and washer

Inlet / outlet connection:  
DN8 hose with G3/8 female inlet  
DIN 12 898 hose nozzle



Description: 2-Hand.Mix, Bench mounted, 1-Hole, Rem. Nozzle, DIN 12 898 hose nozzle							Media: Water				
							Comments:				
							Drawing type: Customer drawing				
							Weight: 1.737 Kg				
Rev.	Pos.	Date	TM No.	Design by	Drawn by:	Change:	Designed by: VJE	Drawn by: SJE	Released on TM No.	Date: 08-12-2017	
<b>BROEN-LAB</b>							This drawing is our property and cannot be given to a third party, copied or otherwise used without our permission. BROEN-LAB A/S.		Format: A3		Drawing No.: 25364601039-52D