

Area of Application:
Bench mounted
Water

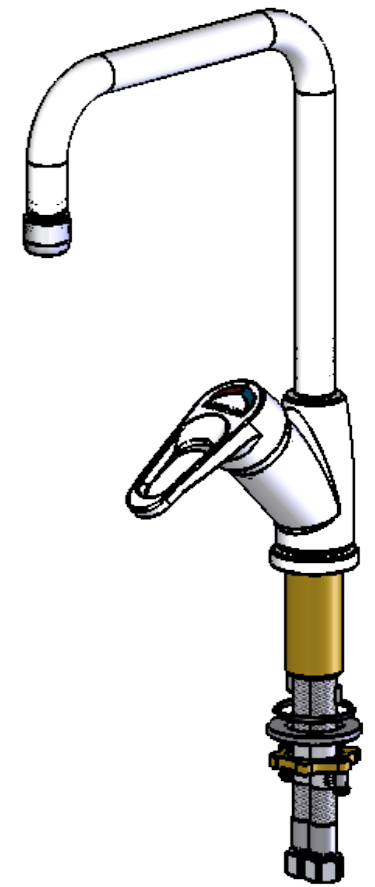
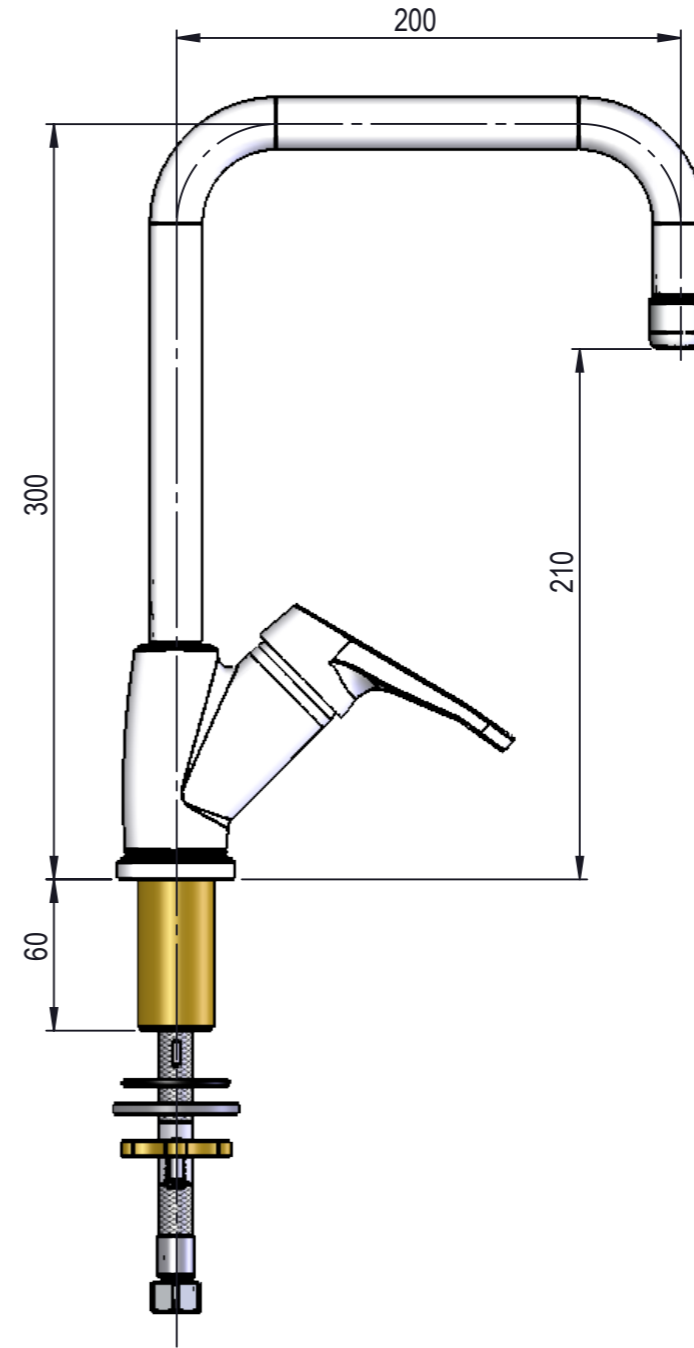
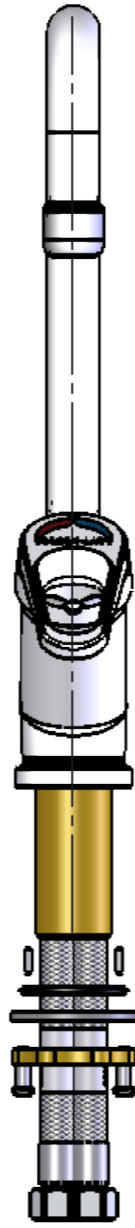
Min. temperature 5°C
Max. temperature 65°C

Details:
Ceramic head work cartridge
Red and blue media indication on handle
Swivel limited 110°
Aerator

Materials in media contact:
Brass
Rubber, EPDM
Silicone based lubricant

Mounting:
M30 nut with locking pins o-ring and washer

Inlet / outlet connection:
DN8 hose with G3/8 female inlet
Aerator



MEDIA CODE XX FOR WATER ONE HANDLE MIXER		
Media	Media description	Media code XX
WPT	Water potable tempered	35

Description: 1-Hand.Mix, Bench mounted, 1-Hole, Swivel limited 110°, M30x1,5mm, Hose							Media: Water			
							Comments:			
							Drawing type: Customer drawing			
							Weight: 1.835 Kg			
Rev.	Pos.	Date	TM No.	Design by	Drawn by:	Change:	Designed by: BJP	Drawn by: MWA	Released on TM No.	Date: 12-04-2018
BROEN-LAB <small>This drawing is our property and cannot be given to a third party, copied or otherwise used without our permission. BROEN-LAB A/S.</small>							Format: A3		Drawing No.: 253524110XX-52D	