

Area of Application:  
Table mounted  
Water

Max. working pressure 10 bar

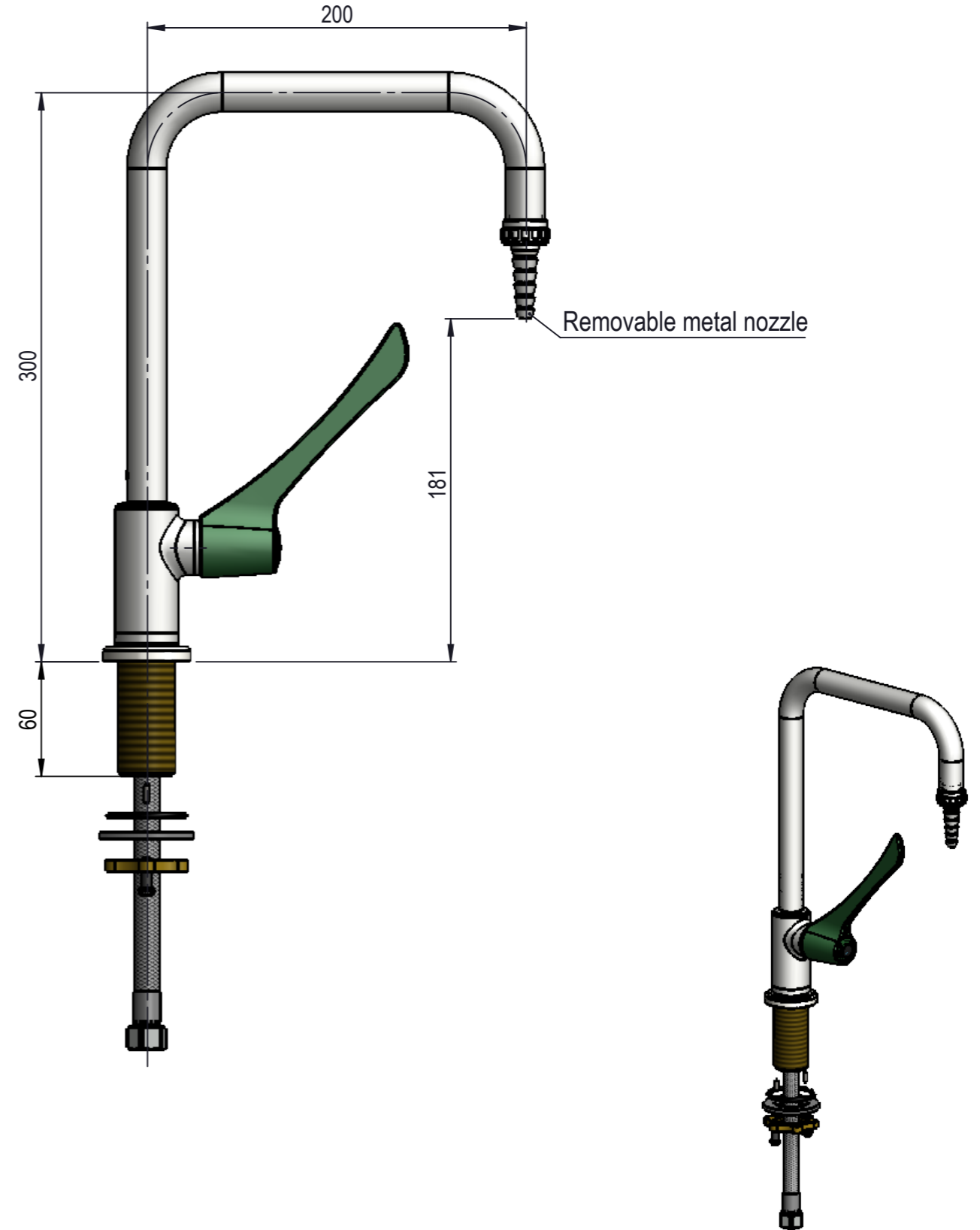
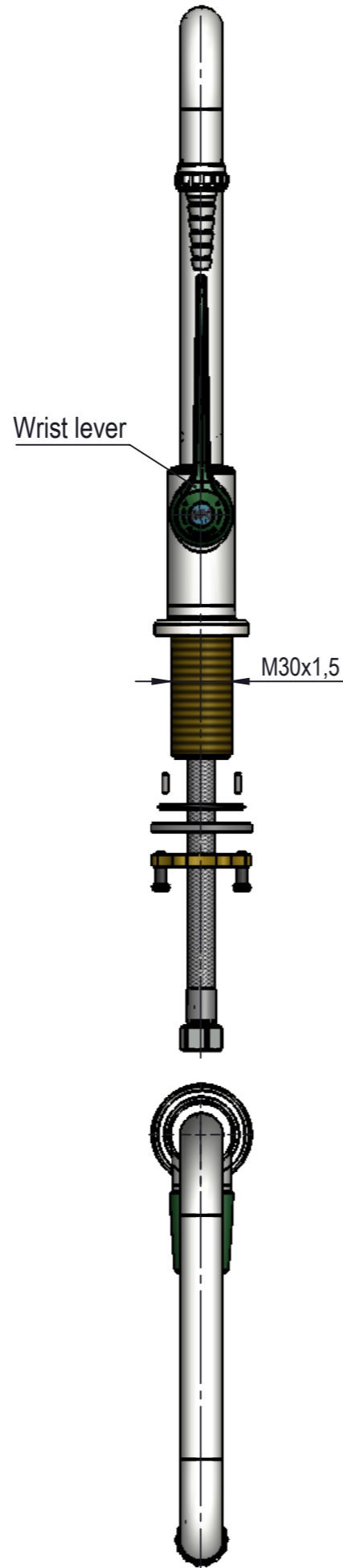
Temperature range 5°C-90°C

Details:  
Ceramic head work open / close 90°  
3-Zone colour. acc. to EN13792:2002  
Swivel limited 110°  
1/2" removable nozzle

Materials in media contact:  
Brass  
Rubber, EPDM  
Silicone based lubricant  
SPX (Soft PEX)  
Ceramic

Mounting:  
M30x1,5 nut with locking pins o-ring and washer (See 94G0232)

Inlet / outlet connection:  
DN8 hose with G3/8 female inlet  
DIN 12 898 hose nozzle



MEDIA CODE XX FOR WATER  
ONE MEDIA FITTING  
ACCORDING TO EN 13792

Media	Media description	Media code XX
WPC	Water potable cold	01
WPH	Water potable hot	02
WNC	Water non-potable, cold	07
WNH	Water non-potable, hot	08

Description: 1-Valve, Table mounted, 1-Hole, Rem. Nozzle, M30x1,5mm, Hose

						Media: Water				
						Comments: 2534master001				
						Drawing type: Customer drawing				
						Weight: 1.471 Kg				
Rev.	Pos.	Date	TM No.	Design by	Drawn by:	Change:	Designed by: VJE	Drawn by: MWA	Released on TM No.	Date: 17-01-2019
						Format: A3		Drawing No.: 253446210XX-52D		

**BROEN-LAB**

This drawing is our property and cannot be given to a third party, copied or otherwise used without our permission. BROEN-LAB A/S.