

Area of Application:  
 Table mounted  
 Water

Max. working pressure 10 bar  
 Min. temperature 5°C  
 Max. temperature 90°C

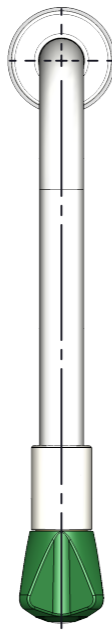
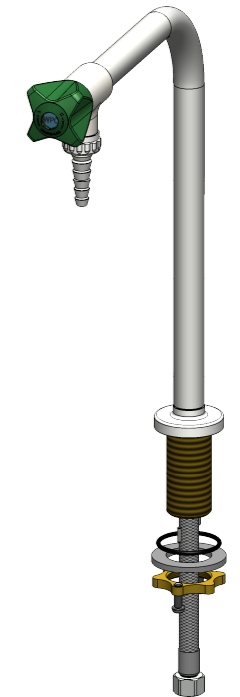
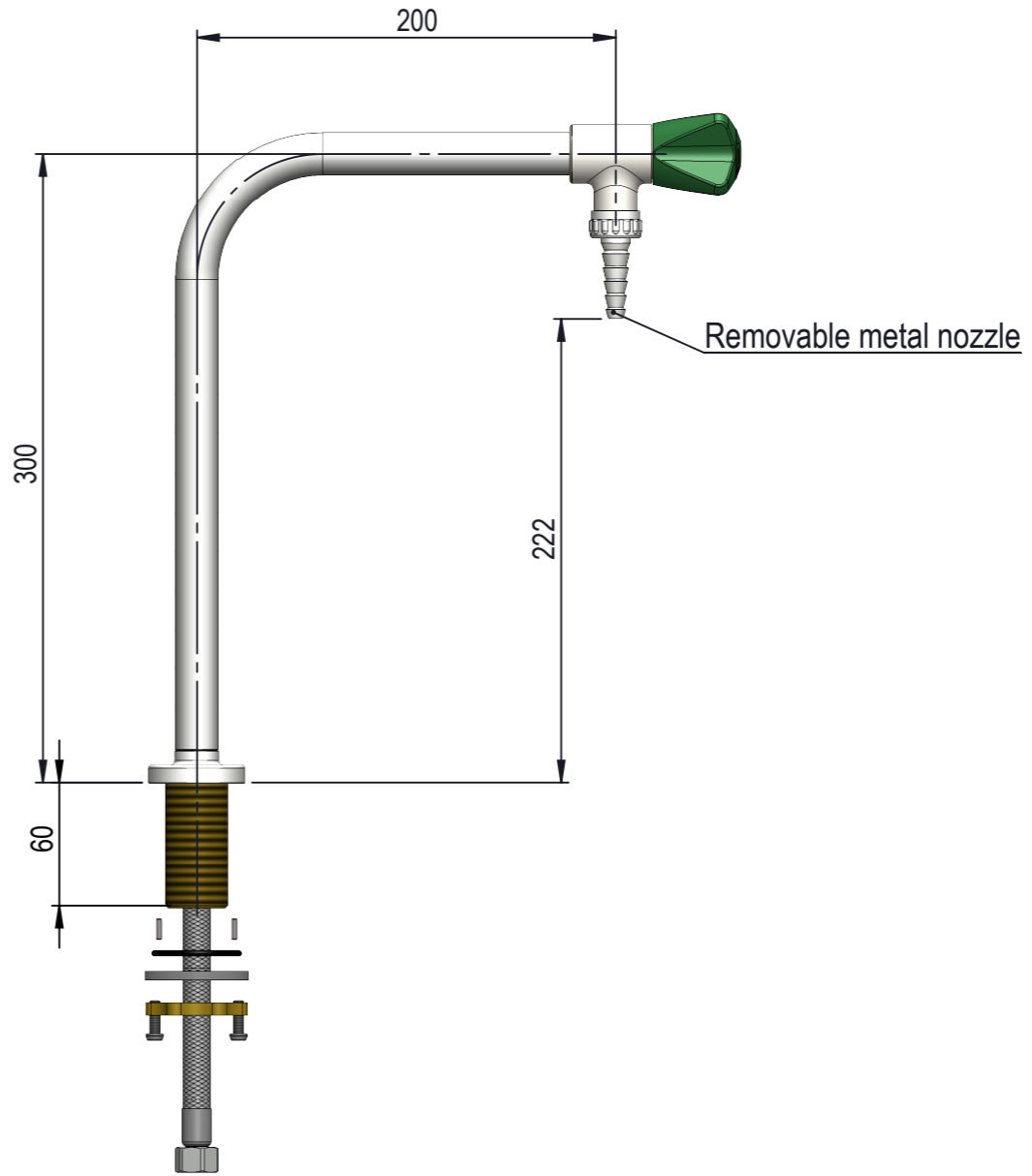
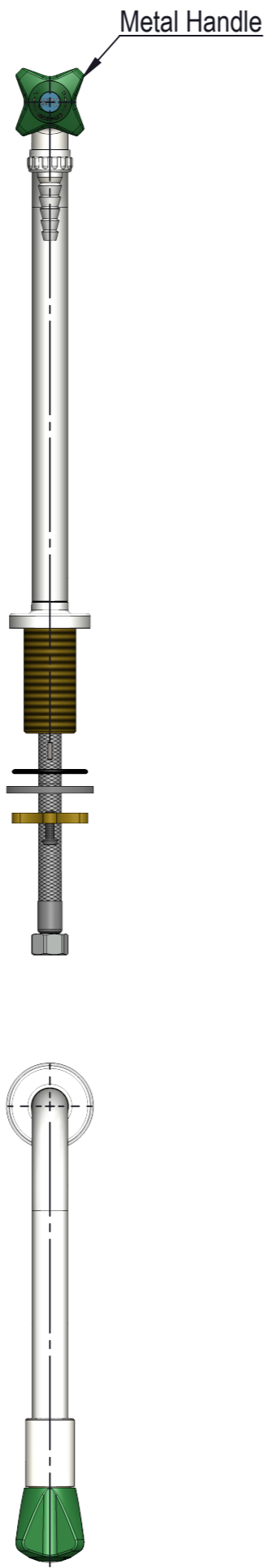
Details:  
 Ceramic headwork open/close 180°  
 3-Zone colour, acc. to EN13792:2002

1/2" removable nozzle

Materials in media contact:  
 Brass  
 Rubber, EPDM  
 Silicone based lubricant  
 Ceramic

Mounting:  
 M30x1,5 nut with locking pins o-ring and washer (See 94G0232)  
 Inlet / outlet connection:  
 BROEN UniFlex  
 G3/8 Union Nut

Note:  
 By mounting attention has to be paid to national and international law, norms and recommendations



MEDIA CODE XX FOR WATER  
 ONE MEDIA FITTING  
 ACCORDING TO EN 13792

Media	Media description	Media code XX
WPC	Water potable cold	01
WPH	Water potable hot	02
WNC	Water non-potable, cold	07
WNH	Water non-potable, hot	08

Description: 1-Valve, Table mounted, 1-Hole, Rem. Nozzle, G3/8							Media: Water			
							Comments: 2533master020			
							Drawing type: Customer drawing	Weight: Kg		
B		09-01-18			MWA					
Rev.	Pos.	Date	TM No.	Design by	Drawn by:	Change:	Designed by: TLA	Drawn by: TLA	Released on TM No.	Date: 05-12-2018
<b>BROEN-LAB</b>							Format: A3		Drawing No.: 253333410XX-52D	
This drawing is our property and cannot be given to a third party, copied or otherwise used without our permission. BROEN-LAB A/S.										