

Area of Application:
Wall/Panel mounted
Vacuum and Highflow

Max. working pressure 16 bar

Details:
High flow/Vacuum headwork open/close 1,5x360°
3-Zone colour, acc. to EN13792:2002

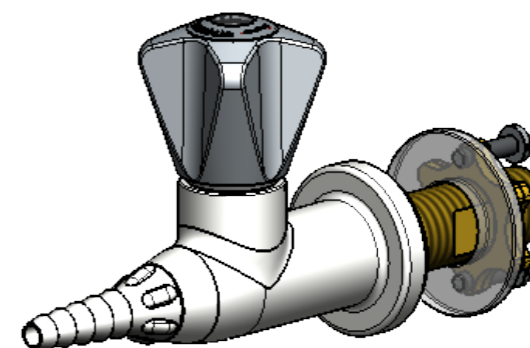
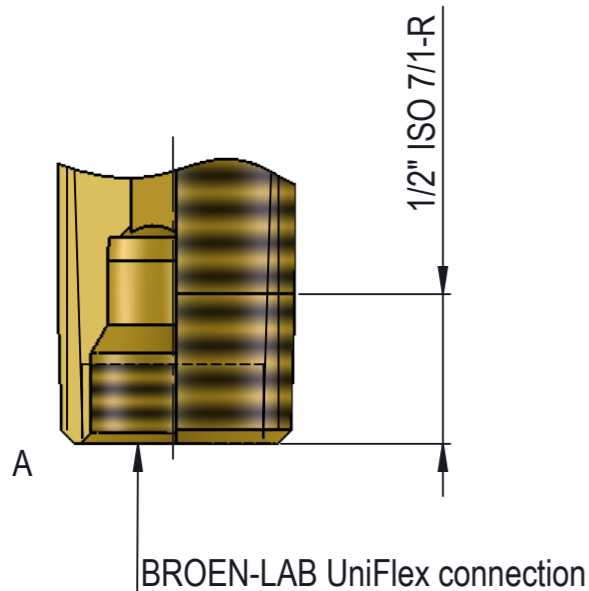
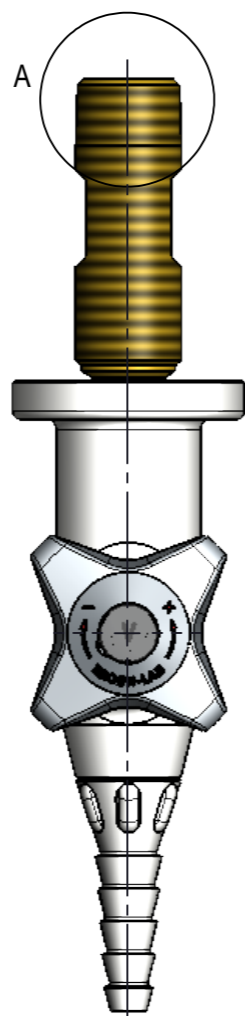
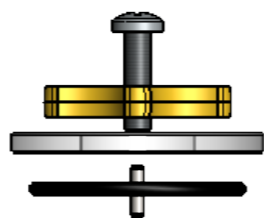
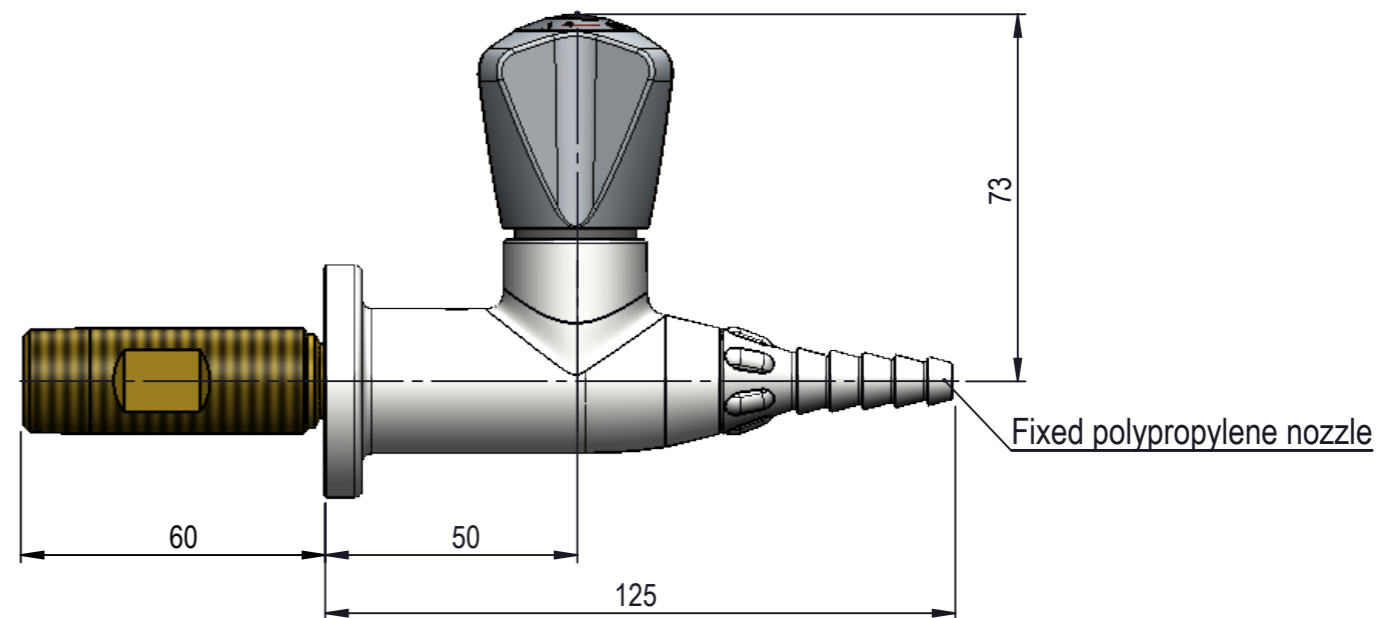
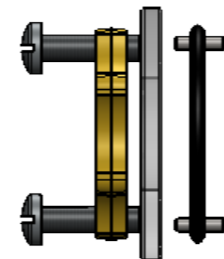
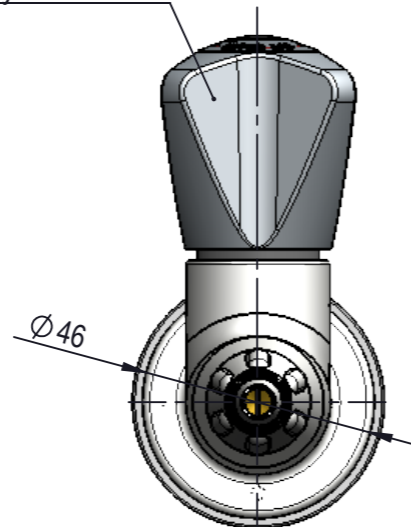
Fixed nozzle

Materials in media contact:
Brass
Rubber, FKM
PP
Perfluoropolyether based lubricant
PVDF

Mounting:
1/2" nut with locking pins, O-ring and washer (See 94G0232)

Inlet / outlet connection:
UniFlex
DIN 12 898 hose nozzle

Polypropylene handle



MEDIA CODE XX FOR
VACUUM
*Model shown for V

Media	Media description	Media code XX
V	Vacuum Low	28
VF	Vacuum Fine	29
VH	Vacuum High	30

Description: 1-Valve, Wall/Panel mounted, 1-Hole, Fix. Nozzle, UniFlex

						Media: Vacuum and Highflow	
						Comments:	
						Drawing type: Customer drawing	
						Weight: 0.697 Kg	
B	03-10-22	7100	VEF	VEF	Drawing updated		
Rev.	Pos.	Date	TM No.	Design by	Drawn by:	Change:	
						Designed by: BJP	Drawn by: MWA
						Released on TM No.	Date (DD-MM-YY): 05-03-2014
BROEN-LAB						Format: A3	Drawing No.: 253217810XX-14

This drawing is our property and cannot be given to a third party, copied or otherwise used without our permission. BROEN-LAB A/S.