

Area of Application:
Turret (180°)
Burning gases

Max. working pressure 7 bar

Details:
"Press/turn" safety ceramic headwork open/close 90°
3-Zone colour, acc. to EN13792:2002

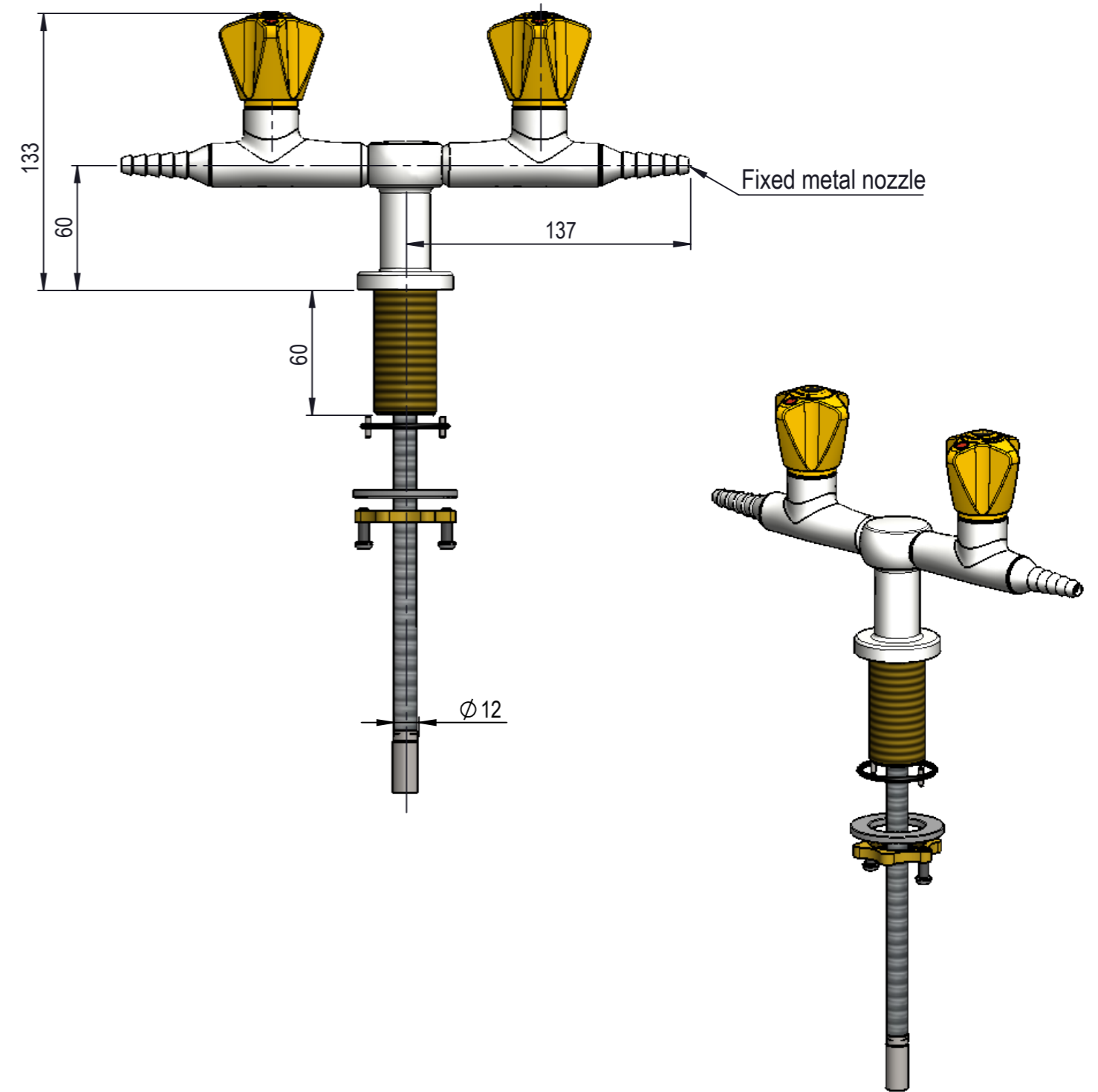
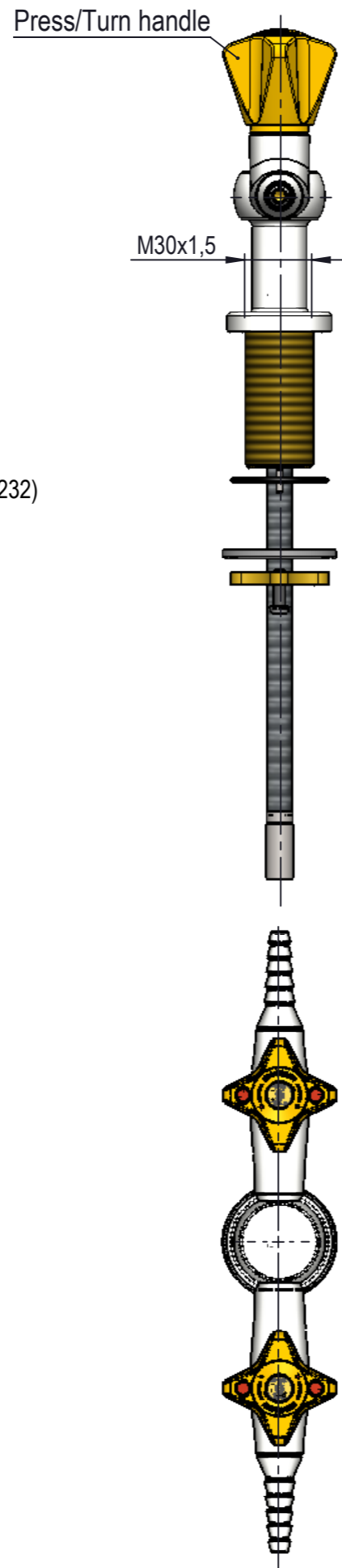
Fixed nozzle

Materials in media contact:
Brass
Rubber, NBR
Mineral oil based lubricant
SPX (Soft PEX)
Ceramic

Mounting:
M30x1,5 nut with locking pins o-ring and washer (See 94G0232)

Inlet / outlet connection:
DN8 hose with Ø12mm inlet
DIN 12 898 hose nozzle

Note:
By mounting attention has
to be paid to national
and international law,
norms and recommendations



MEDIA CODE XX FOR
BURNING GAS FITTINGS WITH
PRESS / TURN HEADWORK AND
PRESS / TURN HANDLE
ACCORDING TO EN 13792

Media	Media description	Media code XX
G	Natural gas	10
LPG	Propane/butane (liquefied gasses)	12
C ₄ H ₁₀	Butane	14
C ₃ H ₈	Propane	16
C ₂ H ₂	Acetylene	18
H ₂	Hydrogen	20
CH ₄	Methane	46

Description: 2-Valves, Turret (180°), 1-Hole, Fix. Nozzle, M30x1,5mm, Hose

						Media: Burning gases	
						Comments:	
B	24-07-20			mbm		Drawing type: Customer drawing	
C	27-04-21			PEC		Weight: 1.554 Kg	
Rev.	Pos.	Date	TM No.	Design by	Drawn by:	Change:	Designed by: VJE
							Drawn by: MWA
							Released on TM No.:
							Date: 17-01-2019
BROEN-LAB						Format: A3	
This drawing is our property and cannot be given to a third party, copied or otherwise used without our permission. BROEN-LAB A/S.						Drawing No.: 253210910XX-52M	