

Area of Application:
Turret
Burning gases
Max. working pressure 7 bar

Details:
"Press/turn" safety ceramic headwork open/close 90°
3-Zone colour, acc. to EN13792:2002
BROEN-LAB Polyester powder coated colour 2700

Fixed nozzle

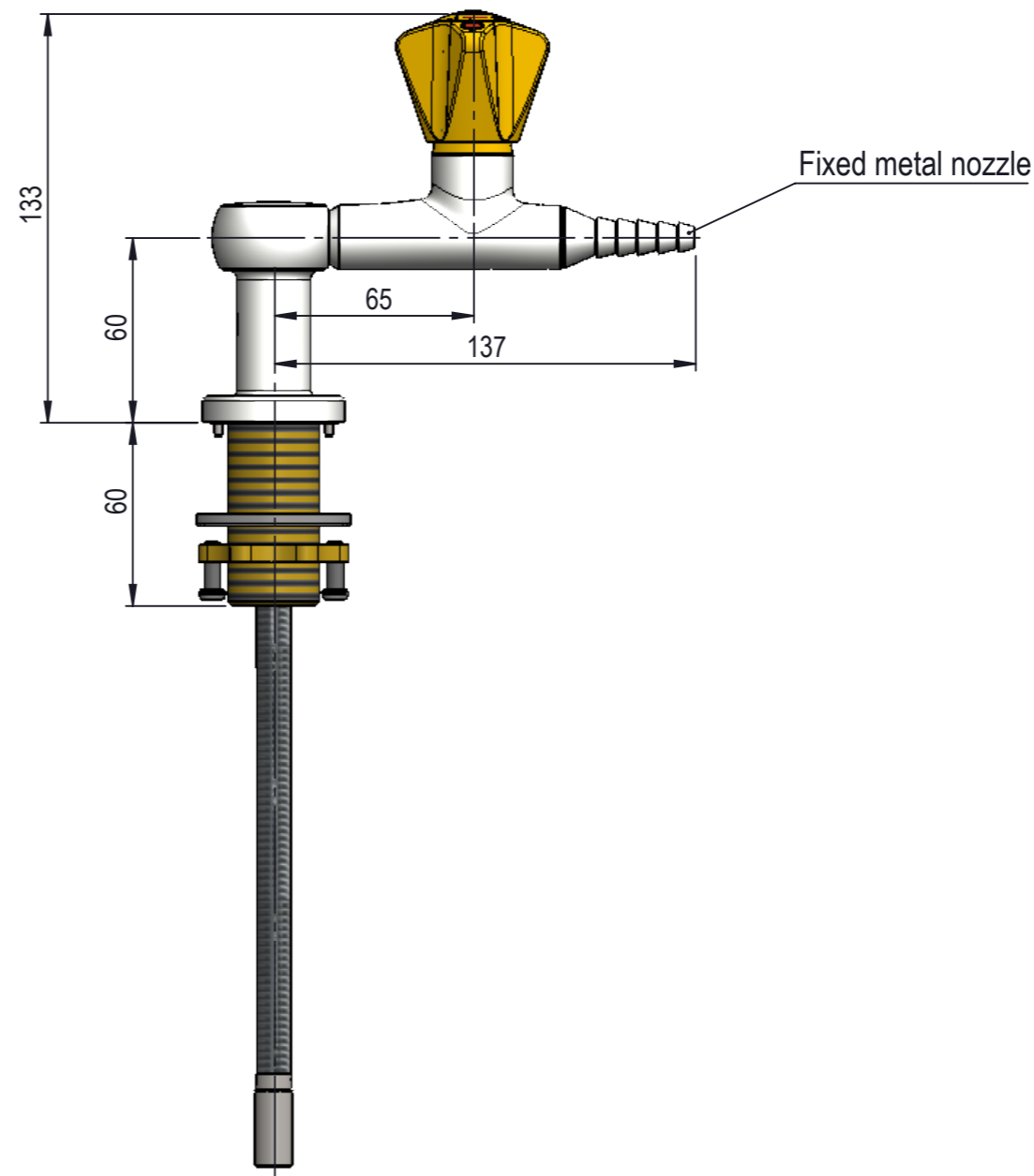
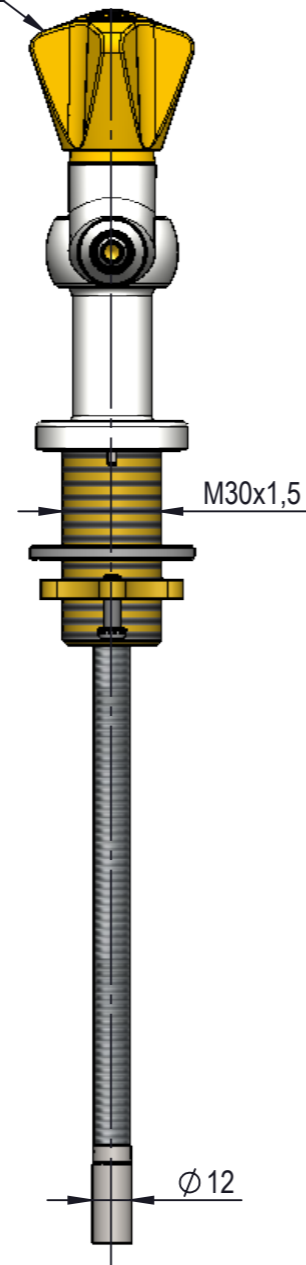
Materials in media contact:
Brass
Rubber, NBR
Mineral oil based lubricant
Stainless Steel
Ceramic

Mounting:
M30x1,5 nut with locking pins o-ring and washer (See 94G0232)

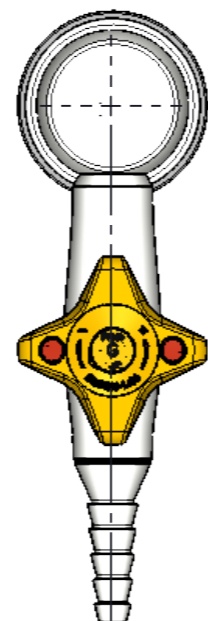
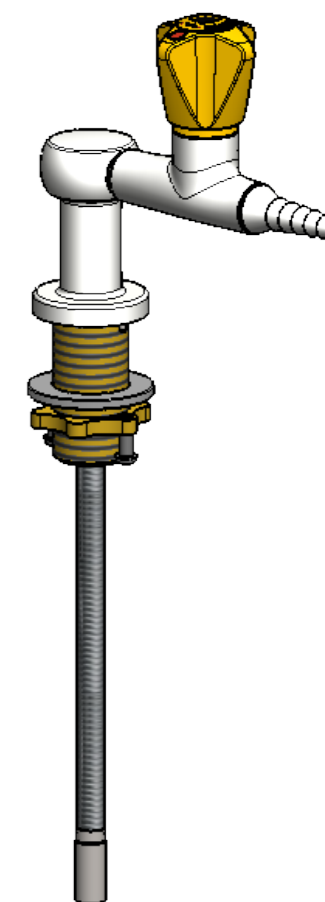
Inlet / outlet connection:
DN8 hose with Ø12mm inlet
DIN 12 898 hose nozzle

Note:
By mounting attention has to be paid to national and international law, norms and recommendations

Press/Turn Pop-up handle



Fixed metal nozzle



Ø 12

M30x1,5

MEDIA CODE XX FOR BURNING GAS FITTINGS WITH PRESS / TURN HEADWORK AND PRESS / TURN HANDLE (pop up) ACCORDING TO EN 13792 *Model shown for G

Media	Media description	Media code XX
G	Natural gas	10
LPG	Propane/butane (liquefied gasses)	12
C ₄ H ₁₀	Butane	14
C ₃ H ₈	Propane	16
C ₂ H ₂	Acetylene	18
H ₂	Hydrogen	20
CH ₄	Methane	46

Description: 1-Valve, Turret, 1-Hole, ., DIN 12 898 hose nozzle

						Media: Burning gases				
						Comments:				
						Drawing type: Customer drawing				
						Weight: 1.083 Kg				
Rev.	Pos.	Date	TM No.	Design by	Drawn by:	Change:	Designed by: VJE	Drawn by: MWA	Released on TM No.	Date (DD-MM-YY): 17-01-19
						Format: A3		Drawing No.: 253208810XX-52M		

BROEN-LAB

This drawing is our property and cannot be given to a third party, copied or otherwise used without our permission. BROEN-LAB A/S.