

Area of Application:
Turret (180°)
Vacuum & Highflow

Max. working pressure 16 bar

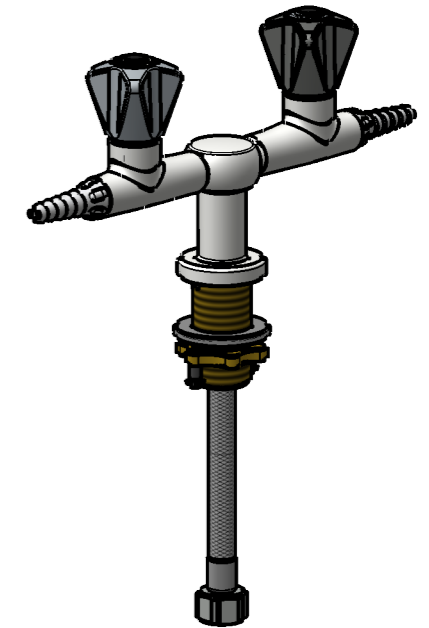
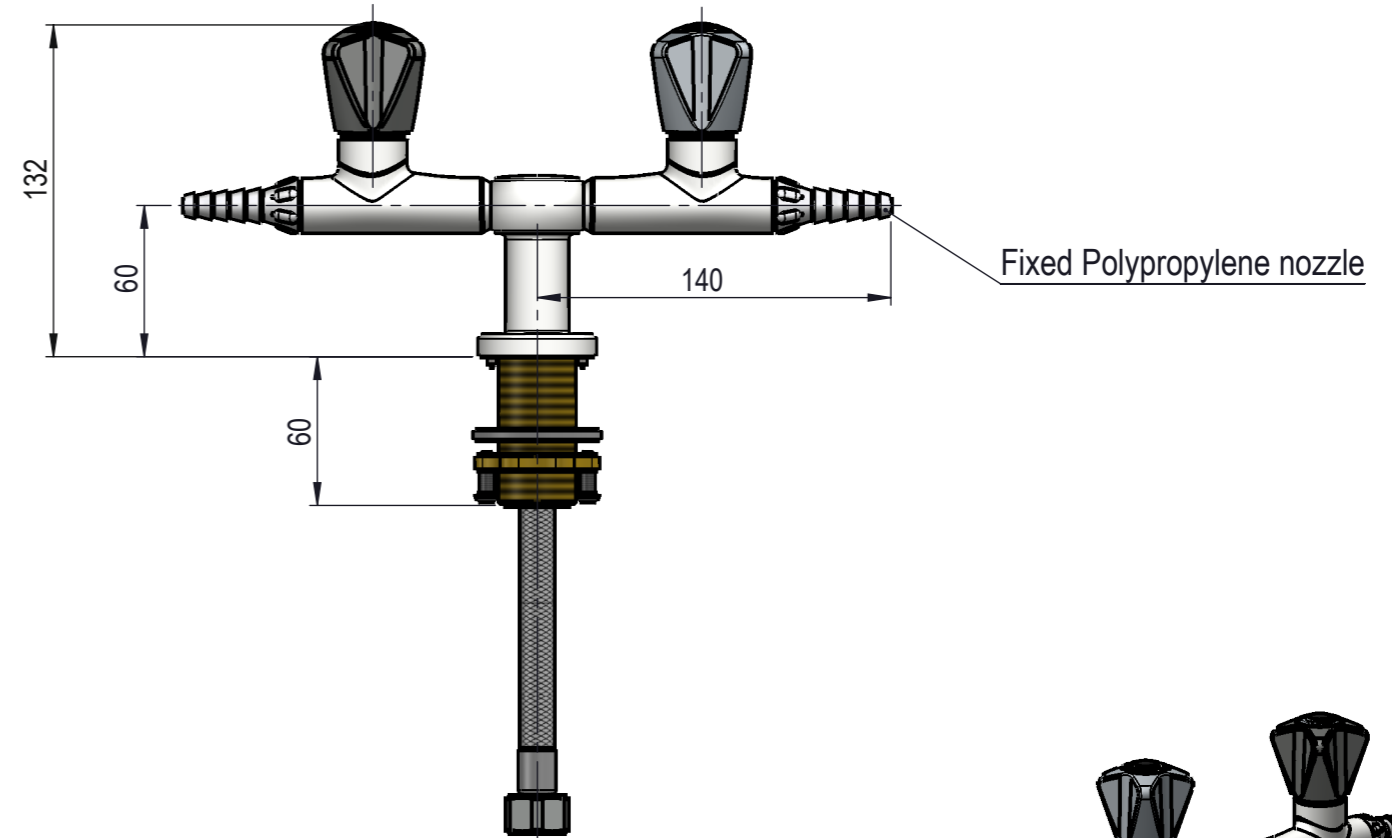
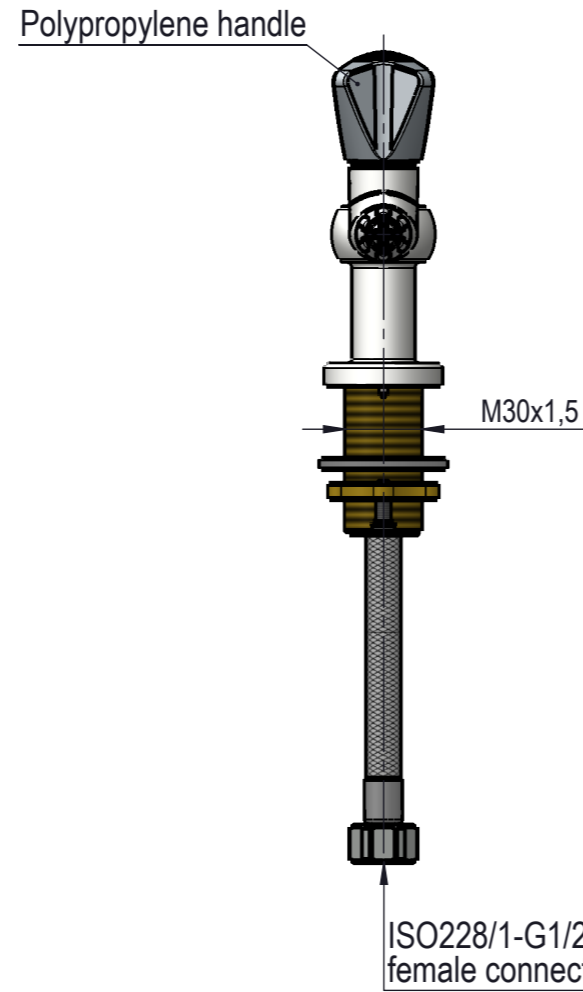
Details:
High flow/Vacuum headwork open/close 1,5x360°
3-Zone colour, acc. to EN13792:2002

Fixed nozzle

Materials in media contact:
Brass
PP
Rubber, FKM
Perfluoropolyether based lubricant
SPX (Soft PEX)
PVDF

Mounting:
M30x1,5 nut with locking pins, O-ring and washer (See 94G0232)

Inlet / outlet connection:
DN8 hose with G1/2" female inlet
DIN 12 898 hose nozzle



MEDIA CODE XX FOR VACUUM		
*Model shown for V		
Media	Media description	Media code XX
V	Vacuum Low	28
VF	Vacuum Fine	29
VH	Vacuum High	30

Description: 2-Valves, Turret (180°), 1-Hole, Fix. Nozzle, M30x1,5mm, Hose

						Media: Vacuum & Highflow				
						Comments:				
						Drawing type: Customer drawing				
						Weight: 1.478 Kg				
Rev.	Pos.	Date	TM No.	Design by	Drawn by:	Change:	Designed by: VJE	Drawn by: MWA	Released on TM No.	Date (DD-MM-YY): 10-08-20
						Format: A3		Drawing No.: 253200910XX-52E		

BROEN-LAB

This drawing is our property and cannot be given to a third party, copied or otherwise used without our permission. BROEN-LAB A/S.