

Area of Application:
Turret (180°)
Technical gases 2.0

Max. working pressure 16 bar

Details:
Needle headwork open/close 3x360°
3-Zone colour, acc. to EN13792:2002

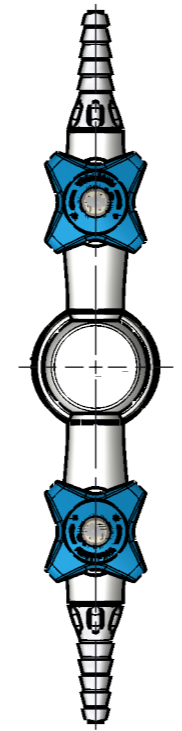
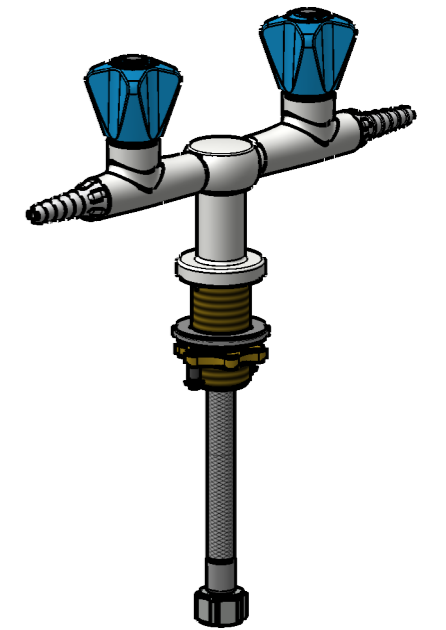
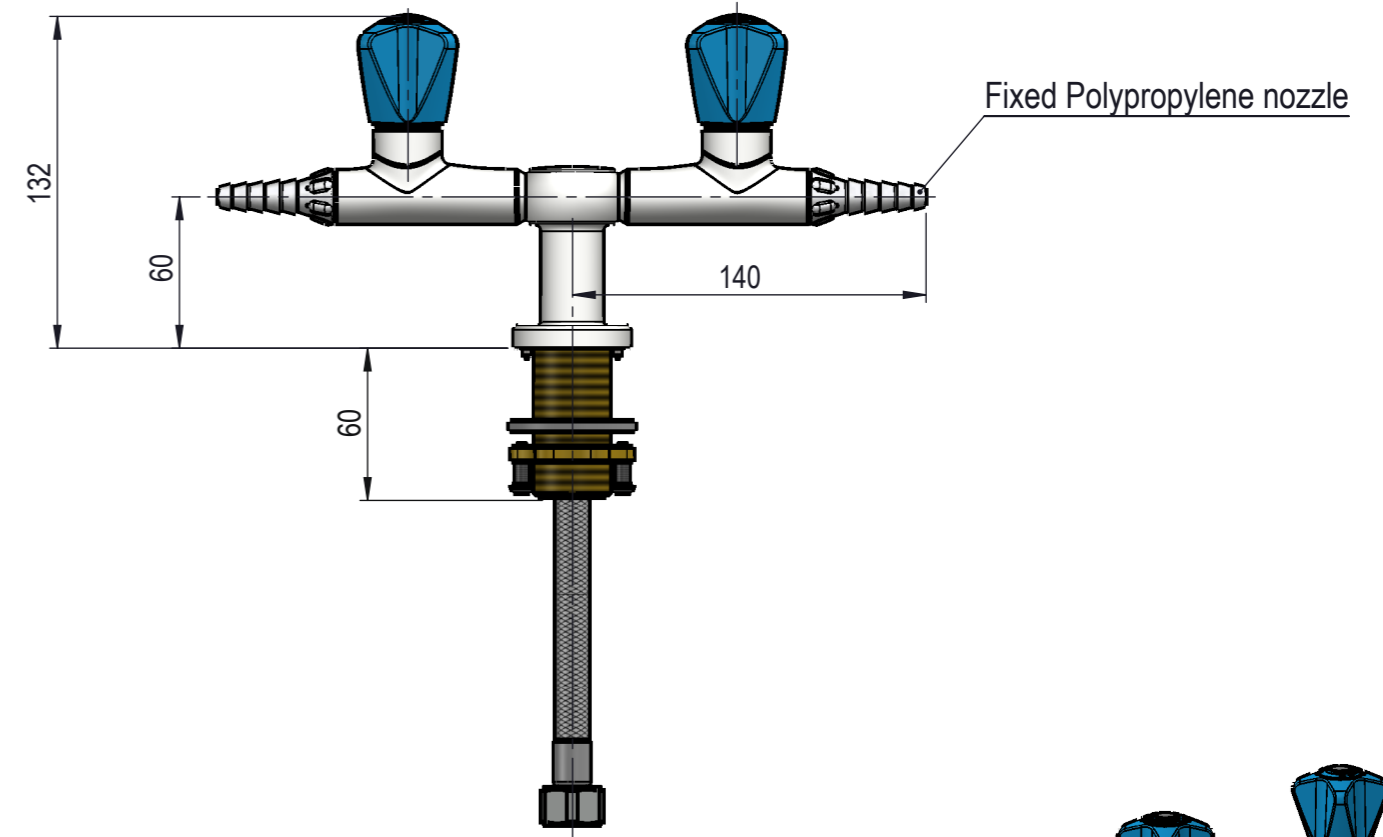
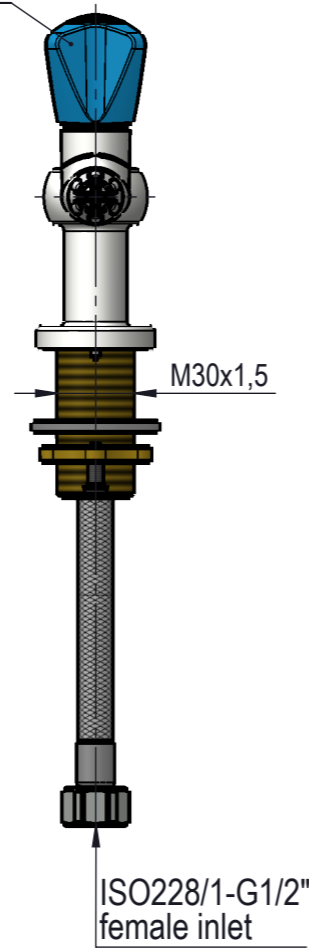
Fixed nozzle

Materials in media contact:
Brass
PP
Rubber, FKM
Perfluoropolyether based lubricant
SPX (Soft PEX)
PVDF

Mounting:
M30x1,5 nut with locking pins, O-ring and washer (See 94G0232)

Inlet / outlet connection:
DN8 hose with G1/2 female inlet
DIN 12 898 hose nozzle

Polypropylene handle



MEDIA CODE XX FOR
2.0 TECHNICAL GASES
*Model shown for CA

Media	Media description	Media code XX
CA	Compressed air	21
N ₂	Nitrogen	23
CO ₂	Carbon dioxide	24
Ar	Argon	25
He	Helium	26
RA	Regulated air	42

Description: 2-Valves, Turret (180°), 1-Hole, Fix. Nozzle, M30x1,5mm, Hose

						Media: Technical gases 2.0	
						Comments:	
						Drawing type: Customer drawing	
						Weight: 1.342 Kg	
Rev.	Pos.	Date	TM No.	Design by	Drawn by:	Change:	Designed by: VJE
							Drawn by: MWA
						Released on TM No.:	
						Date (DD-MM-YY): 10-08-20	
						Format: A3	
						Drawing No.: 253200810XX-52E	

BROEN-LAB

This drawing is our property and cannot be given to a third party, copied or otherwise used without our permission. BROEN-LAB A/S.