

Area of Application:
 Panel mounted
 Technical gases 2.0
 Max. working pressure P1.: 10 Bar
 Pressure regulation P2.: 0-8,5 Bar

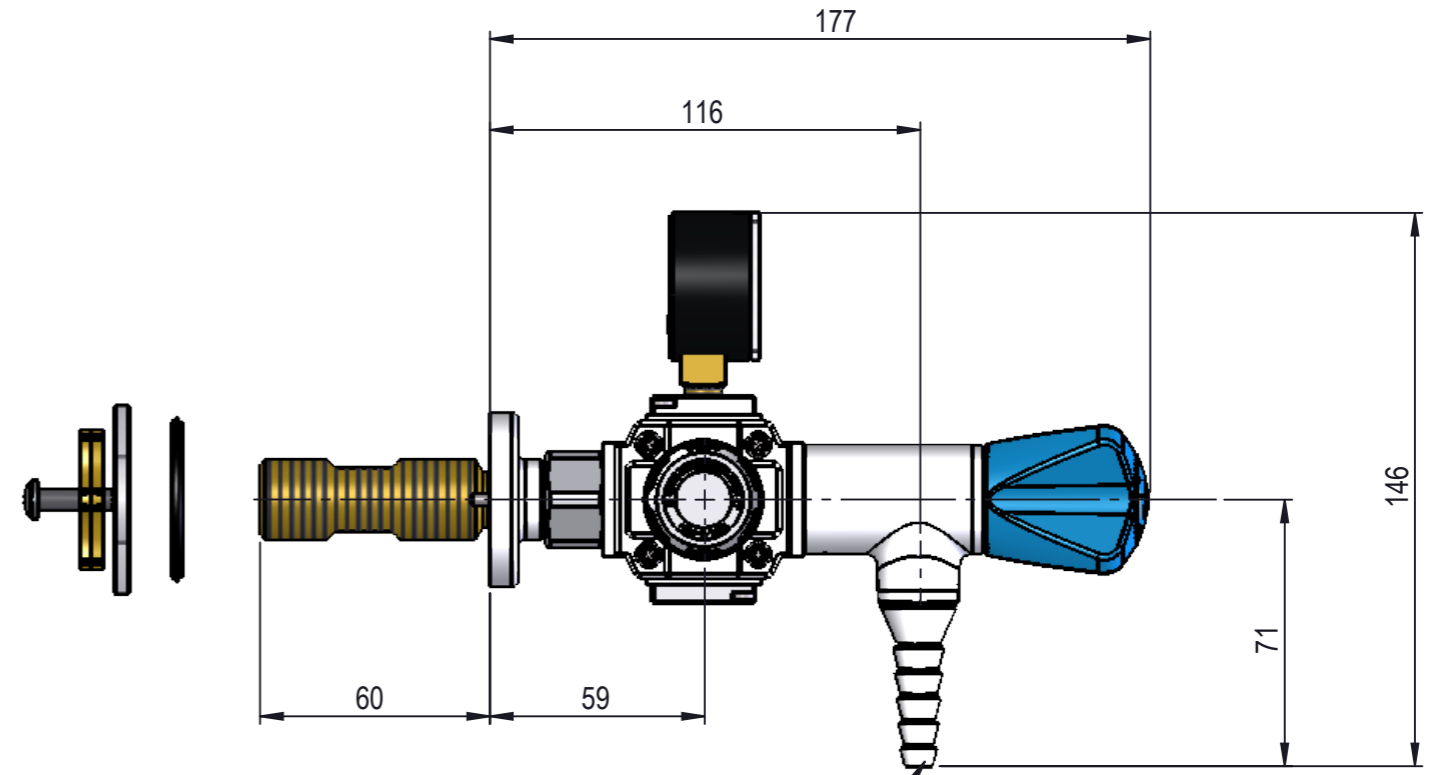
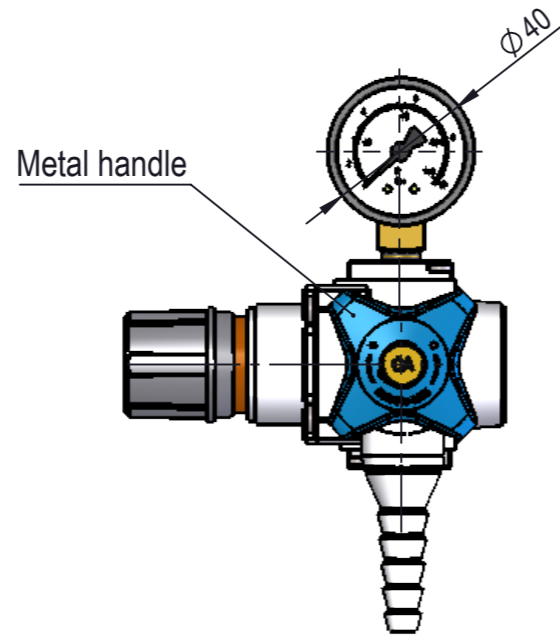
Details:
 Needle headwork open/close 3x360°
 3-Zone colour, acc. to EN13792:2002
 BROEN-LAB Polyester powder coated colour 2700

Fixed nozzle

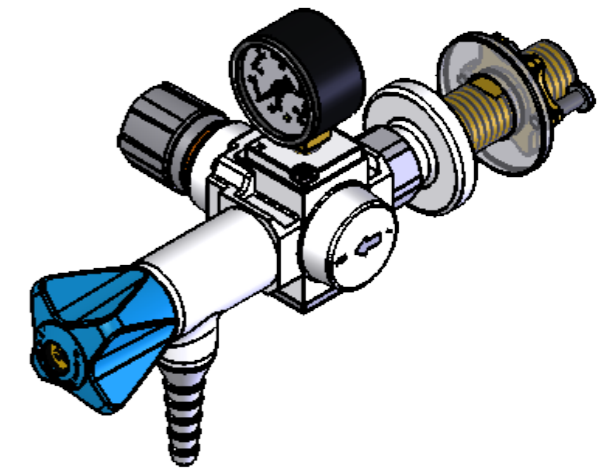
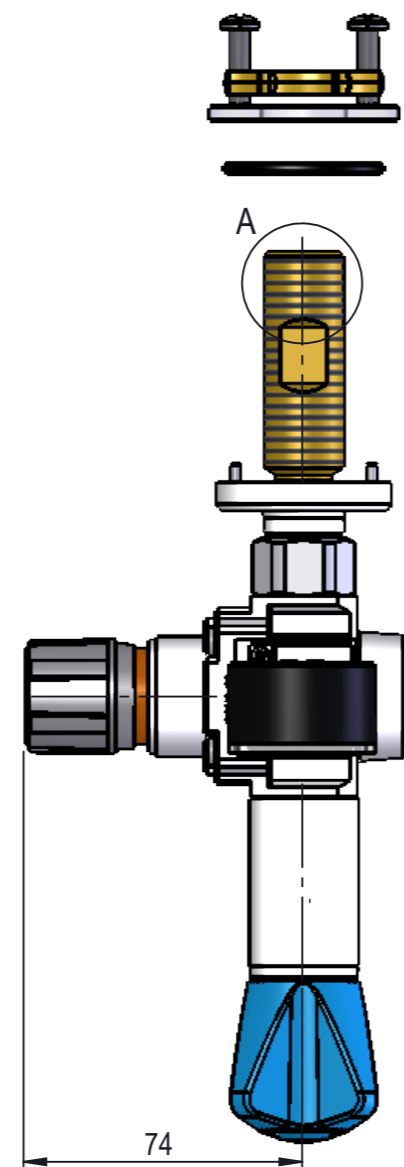
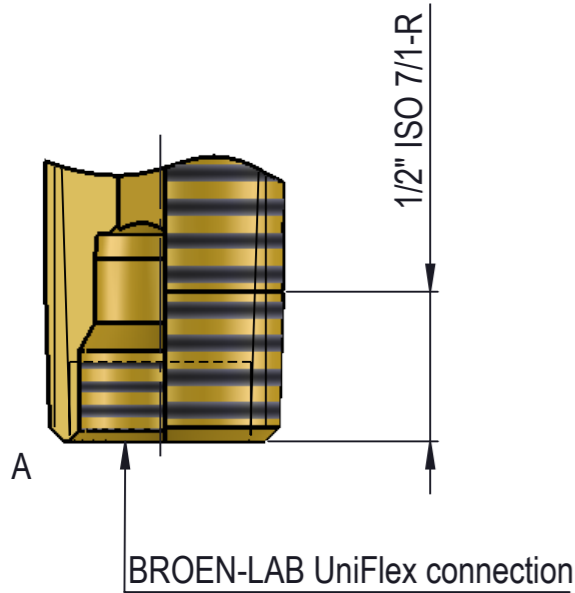
Materials in media contact:
 Brass
 Rubber, FKM
 Perfluoropolyether based lubricant
 PVDF

Mounting:
 1/2" nut with locking pins, O-ring and washer (See 94G0232)

Inlet / outlet connection:
 UniFlex
 DIN 12 898 hose nozzle



Fixed metal nozzle



MEDIA CODE XX FOR
 2.0 TECHNICAL GASES
 *Model shown for CA

Media	Media description	Media code XX
CA	Compressed air	21
N ₂	Nitrogen	23
CO ₂	Carbon dioxide	24
Ar	Argon	25
He	Helium	26
RA	Regulated air	42

Description: 1-Valve, Panel mounted, 1-Hole, Fix. Nozzle, UniFlex

C	11-10-22			PEC		Media:	Technical gases 2.0		
D	03-02-23			VEF		Comments:	Do NOT use for Oxygen		
E	08-12-23			PEC		Drawing type:	Customer drawing	Weight:	0.999 Kg
F	18-12-23	7100	PEC	PEC	Drawing update	Designed by:	Drawn by:	Released on TM No.	Date (DD-MM-YY):
Rev.	Pos.	Date	TM No.	Design by	Drawn by:	Change:	BJP	HEM	11-12-2018
BROEN-LAB <small>This drawing is our property and cannot be given to a third party, copied or otherwise used without our permission. BROEN-LAB A/S.</small>							Format:	Drawing No.:	
							A3	251204510XX-14	