

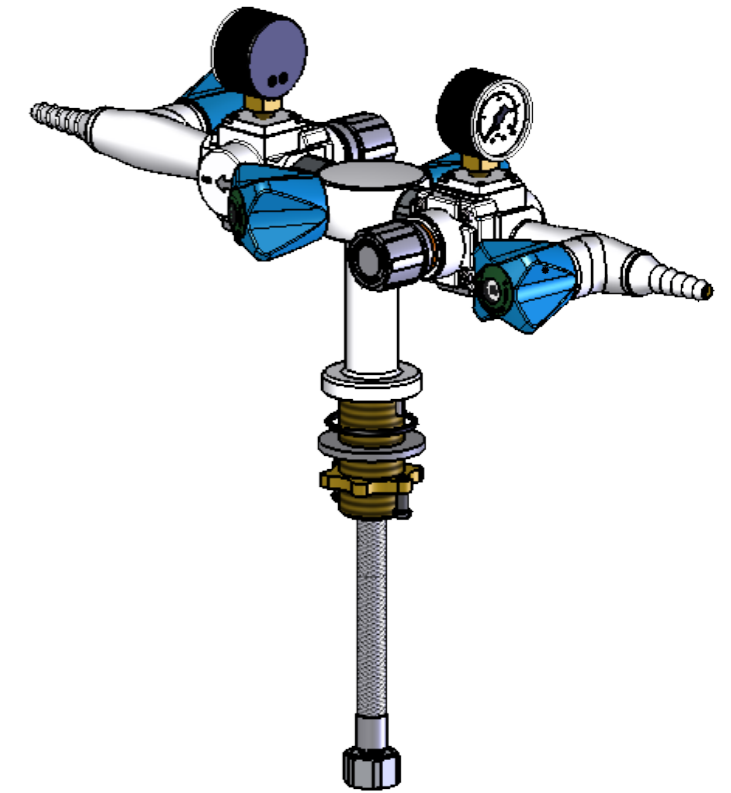
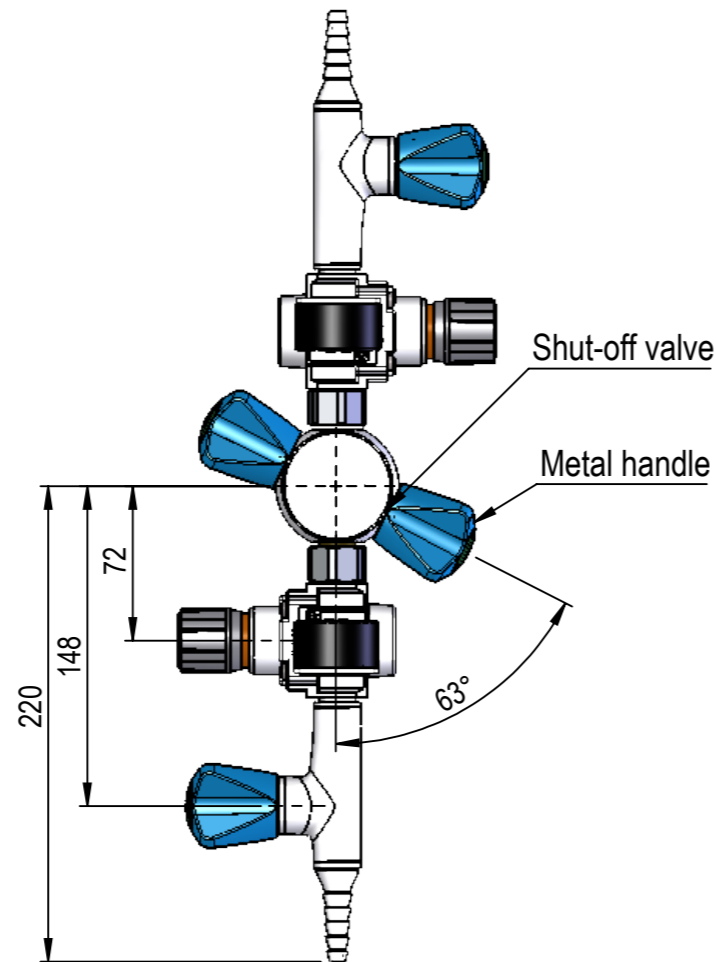
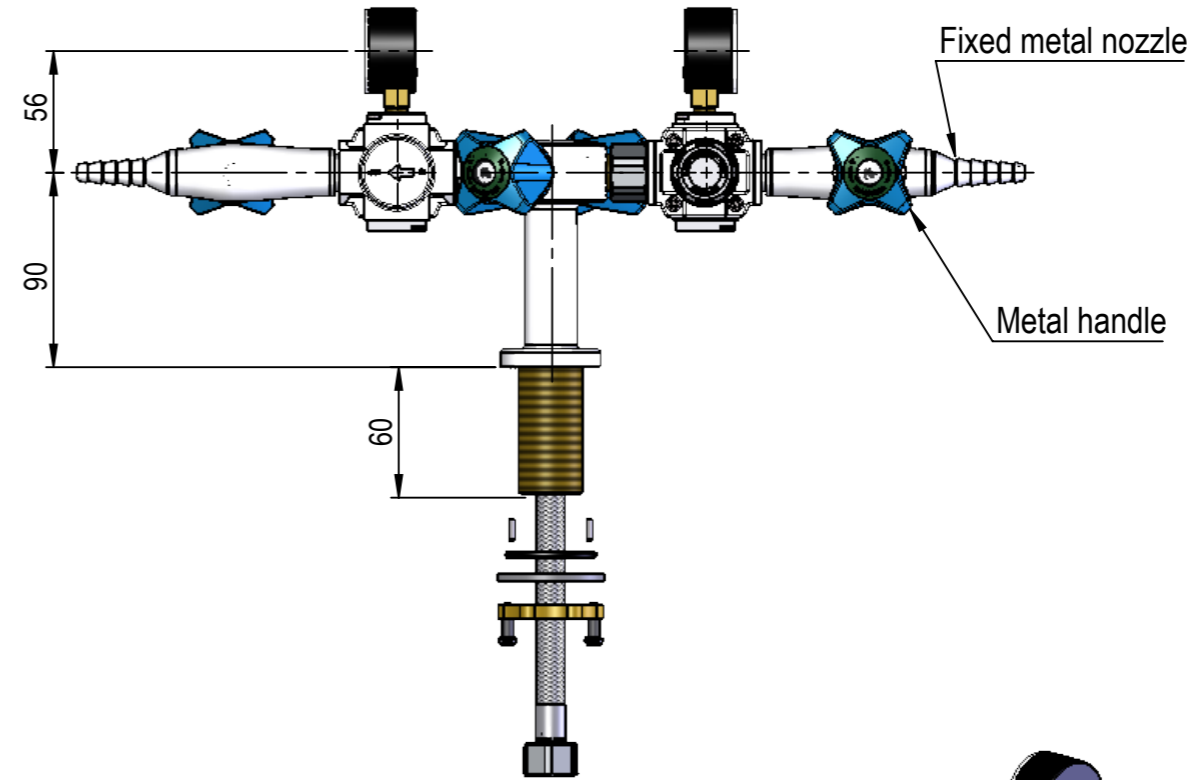
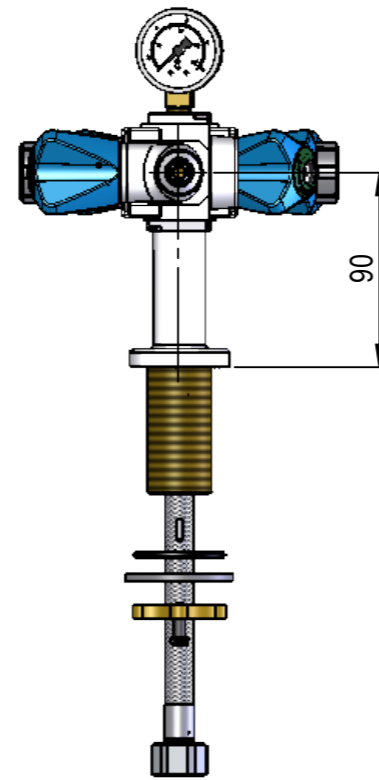
Area of Application:  
Turret (180°)  
Technical gases 2.0

Details:  
Needle headwork open/close 3x360°  
3-Zone colour, acc. to EN13792:2002  
Press. regulator: 0,5 - 8,5 bar  
Fixed nozzle

Materials in media contact:  
Brass  
SS, AISI 316  
Rubber, FKM  
Perfluoropolyether based lubricant

Mounting:  
M30x1,5 nut with locking pins o-ring and washer (See 94G0232)

Inlet / outlet connection:  
DN8 hose with G1/2 female inlet  
DIN 12 898 hose nozzle



MEDIA CODE XX FOR 2.0 TECHNICAL GASES / with regulator		
Media	Media description	Media code XX
CA	Compressed air	21
N <sub>2</sub>	Nitrogen	23
CO <sub>2</sub>	Carbon dioxide	24
Ar	Argon	25

Description: Shut-off Valve, Pressure Regulator, Flow valve, Turret (180°), 1-Hole, Fix. Nozzle, DN8 hose with G1/2 female inlet

						Media: Technical gases 2.0	
						Comments:	
						Drawing type: Customer drawing	
						Weight: 3.072 Kg	
Rev.	Pos.	Date	TM No.	Design by	Drawn by:	Change:	Designed by:
							Drawn by: HEM
						Released on TM No.:	
						Date: 11-12-2018	
						Format: A3	
						Drawing No.: 251204410XX-52E	

**BROEN-LAB**

This drawing is our property and cannot be given to a third party, copied or otherwise used without our permission. BROEN-LAB A/S.