

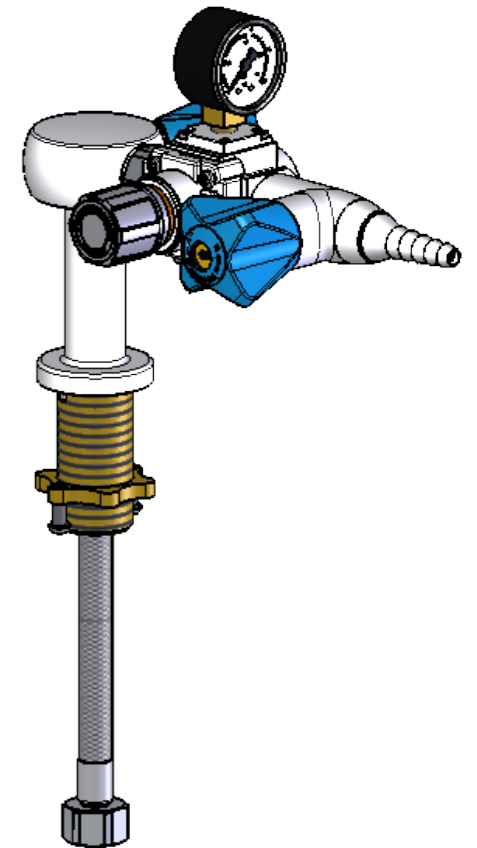
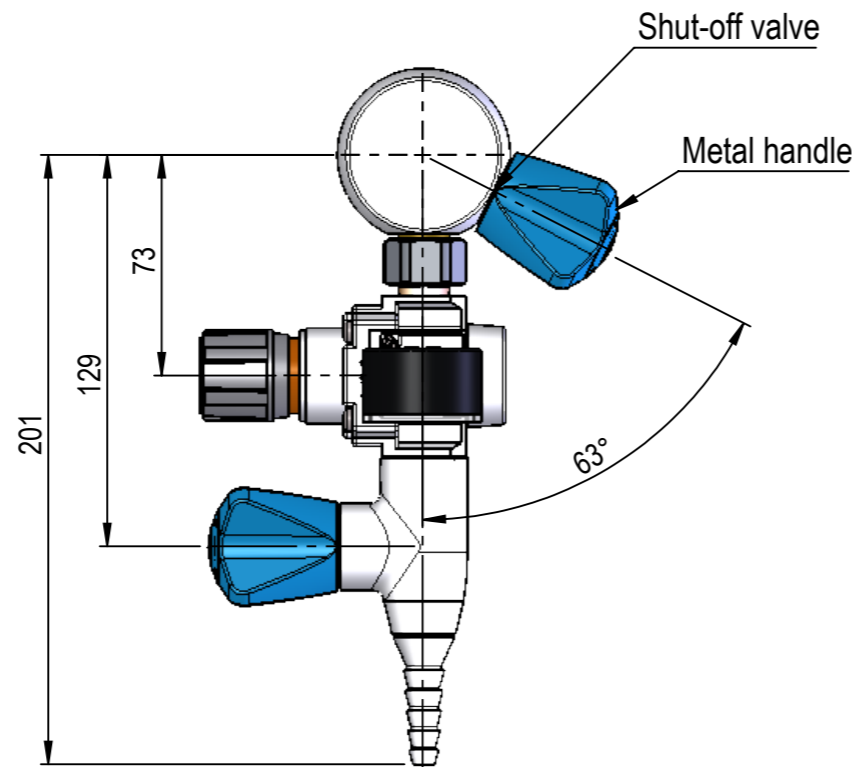
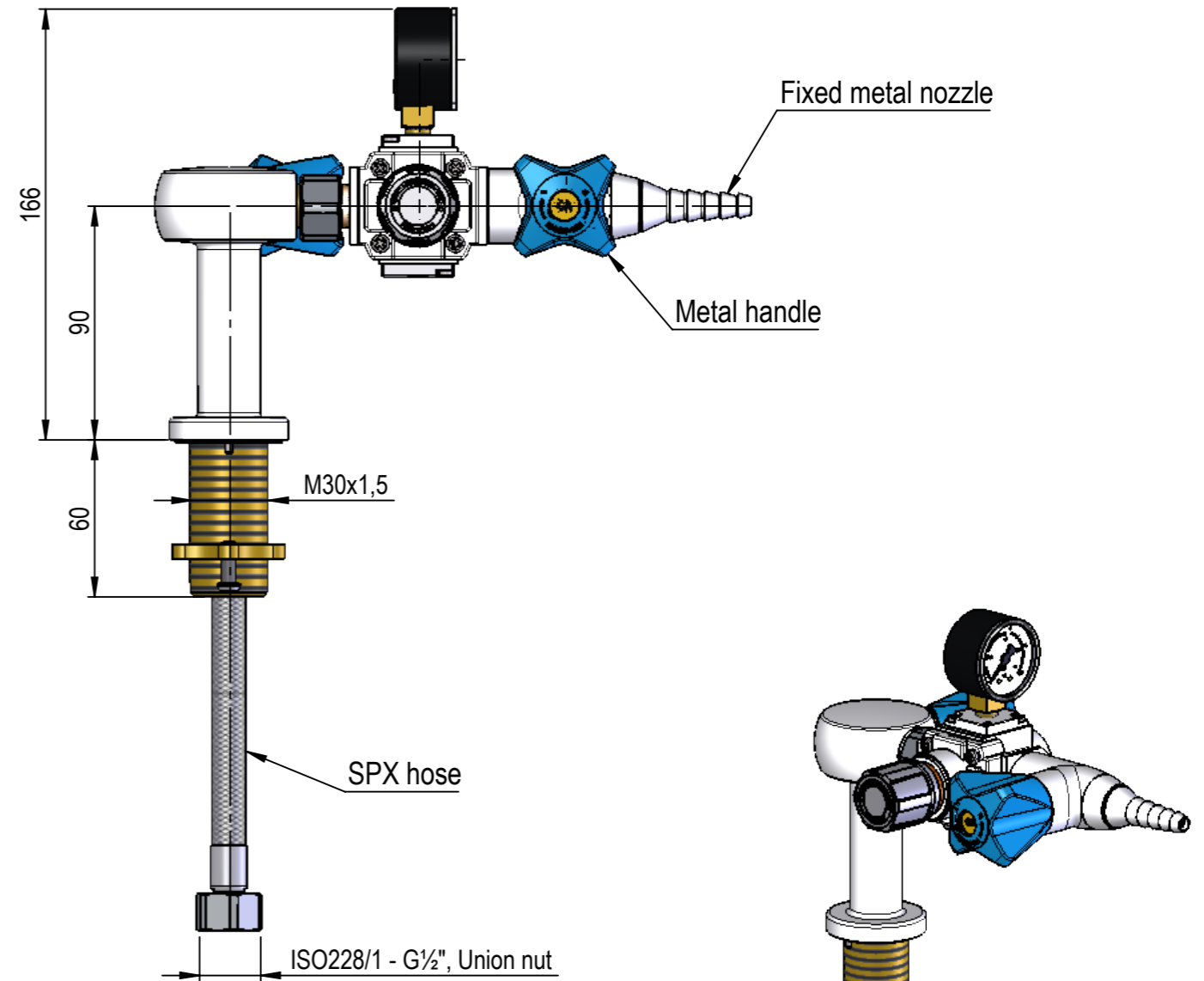
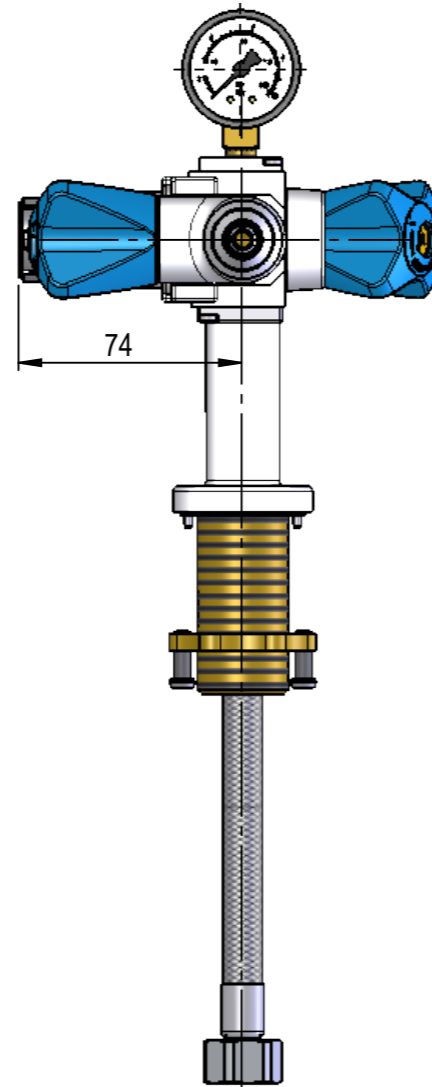
Area of Application:
 Turret
 Technical gases 2.0
 Max. working pressure P1.: 10 Bar
 Pressure regulation P2.: 0-8,5 Bar

Details:
 Shut-Off (stop) Valve: Open / close 1,5x360°
 3-Zone colour, acc. to EN13792:2002
 BROEN-LAB Polyester powder coated colour 2700
 Needle headwork open/close 3x360°
 Fixed nozzle

Materials in media contact:
 Brass
 SS, AISI 316
 Rubber, FKM
 Perfluoropolyether based lubricant
 PVDF

Mounting:
 M30x1,5 nut with locking pins, O-ring and washer (See 94G0232)

Inlet / outlet connection:
 DN8 hose with G½ Union nut (700mm)
 DIN 12 898 hose nozzle



MEDIA CODE XX FOR
 2.0 TECHNICAL GASES / with regulator
 *Model shown for CA

Media	Media description	Media code XX
CA	Compressed air	21
N ₂	Nitrogen	23
CO ₂	Carbon dioxide	24
Ar	Argon	25

Description: Shut-off Valve, Pressure Regulator, Flow valve, Turret, 1-Hole, ., DIN 12 898 hose nozzle

						Media:	Technical gases 2.0			
						Comments:				
						Drawing type:	Customer drawing		Weight:	1.953 Kg
E	27-06-24	7100	NSC	VEF	Updated drawing					
Rev.	Pos.	Date	TM No.	Design by	Drawn by:	Change:	Designed by:	Drawn by:	Released on TM No.	Date (DD-MM-YY):
							VEF	VEF		27-06-24
BROEN-LAB						This drawing is our property and cannot be given to a third party, copied or otherwise used without our permission. BROEN-LAB A/S.		Format:	Drawing No.: 251204310XX-52E	
						A3				