

Area of Application:
Turret
High purity gases 5.0 (He)

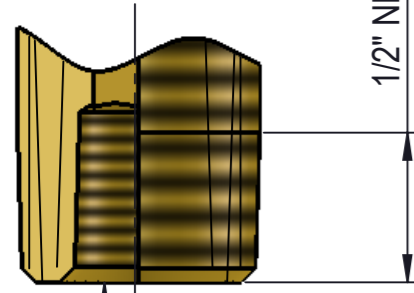
Max secondary pressure 10 bar

Details:
Needle headwork open/close 3x360°
3-Zone colour, acc. to EN13792:2002

Materials in media contact:
Brass
SS, AISI 316
Rubber, FKM
PVDF

Mounting:
1/2" nut with locking pins o-ring and washer

Inlet / outlet connection:
1/4" NPT- female connection
1/4" NPT- female connection

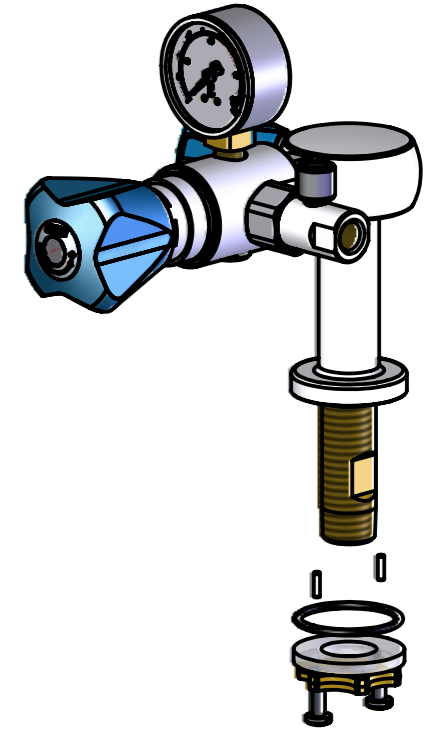
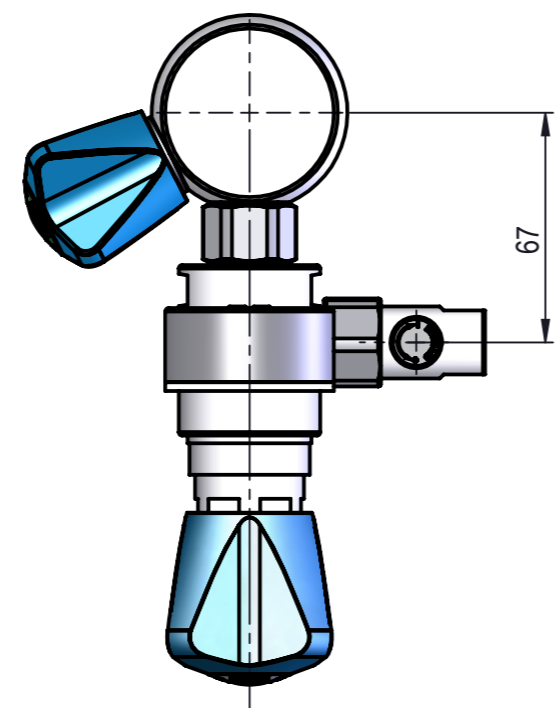
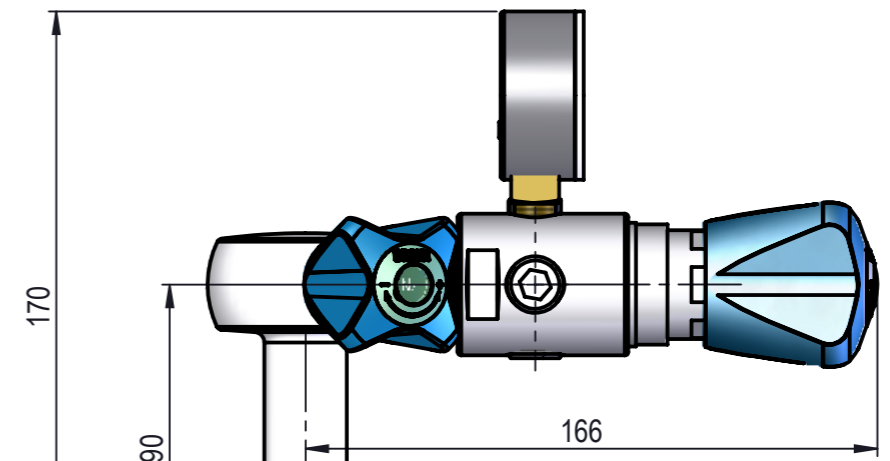
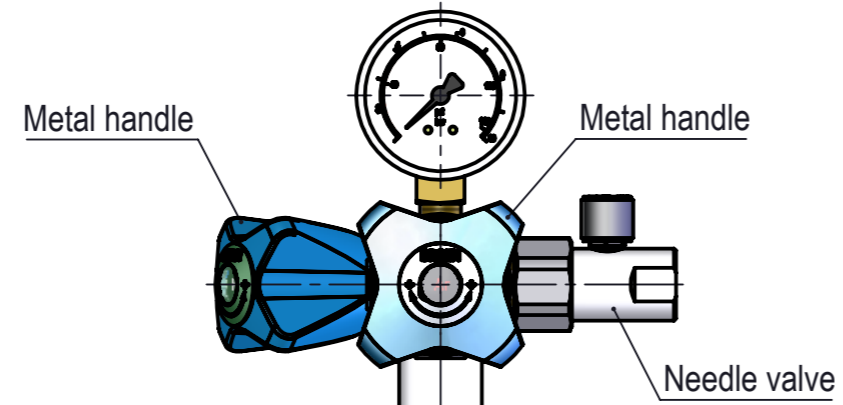


1/2" NPT ANSI B1.20.1-1983

1/4" NPT ANSI B1,20.1-1983

MEDIA CODE XX FOR
5.0 TECHNICAL GASES AND OXYGEN

Media	Media description	Media code XX
H ₂	Hydrogen	19
CA	Compressed air	21
O ₂	Oxygen	22
N ₂	Nitrogen	23
CO ₂	Carbon dioxide	24
Ar	Argon	25
He	Helium	26
N ₂ O	Dinitrogenmonoxide	27



Description: 1-Valve, Turret, 1-Hole, Fixed, 1/4" NPT- female connection						Media: High purity gases 5.0	
						Comments:	
						Drawing type: Customer drawing	
						Weight: 1.766 Kg	
Rev.	Pos.	Date	TM No.	Design by	Drawn by:	Change:	Designed by: BJP
							Drawn by: MWA
						Released on TM No.:	
						Date: 25-07-2017	
BROEN-LAB						Format: A3	
						Drawing No.: 250505810XX-11	