

Area of Application:
 Suspended
 High purity gases 5.0
 Max. working pressure P1.: 21 Bar
 Pressure regulation P2.: 0-10 Bar (0-145 psi)

Details:
 Shut-Off (stop) Valve: Open / close 1,5x360°
 3-Zone colour, acc. to EN13792:2002

Flow regulating (needle) Valve : Open / close 3x360°

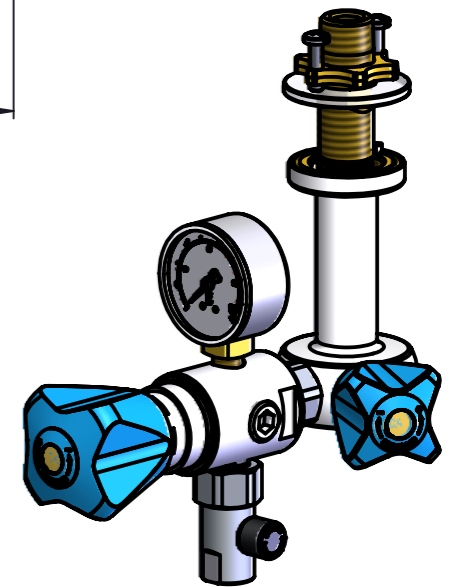
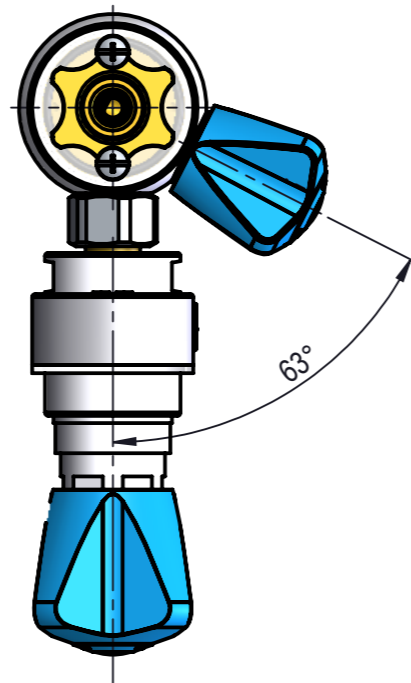
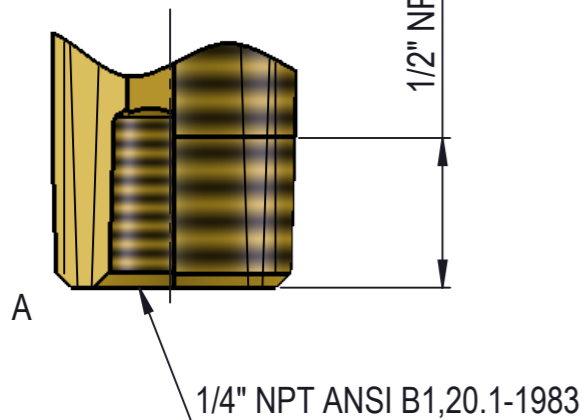
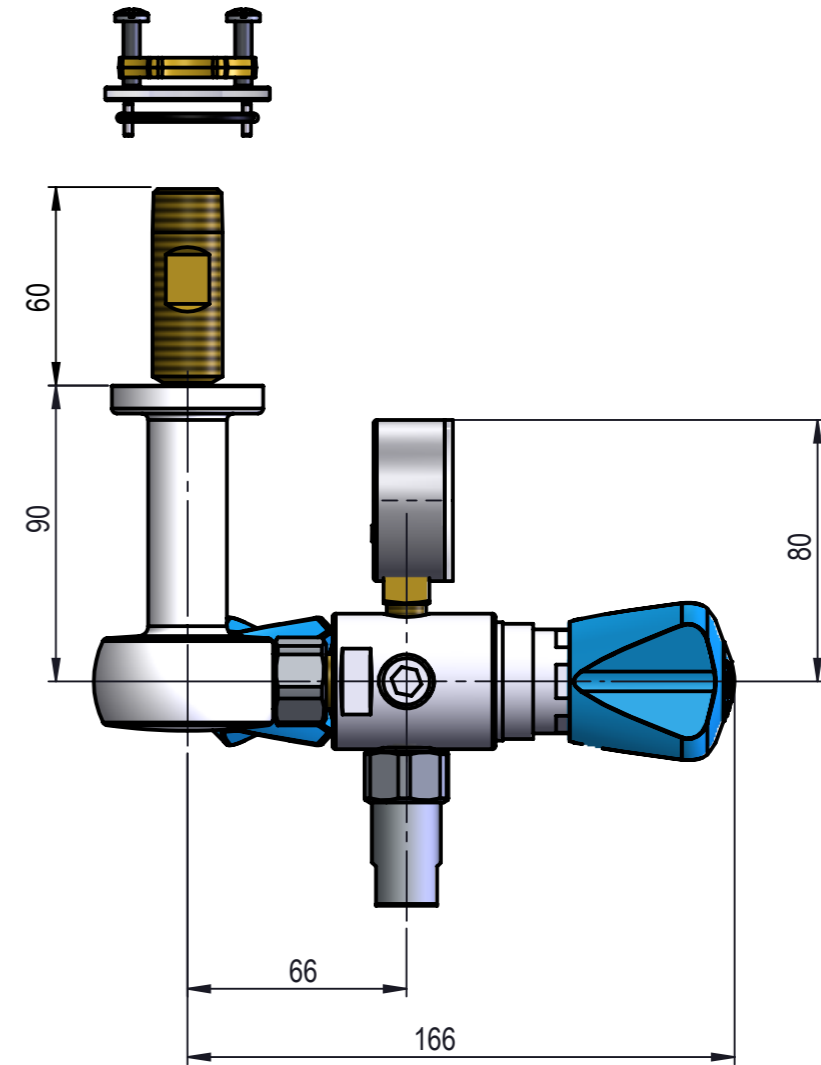
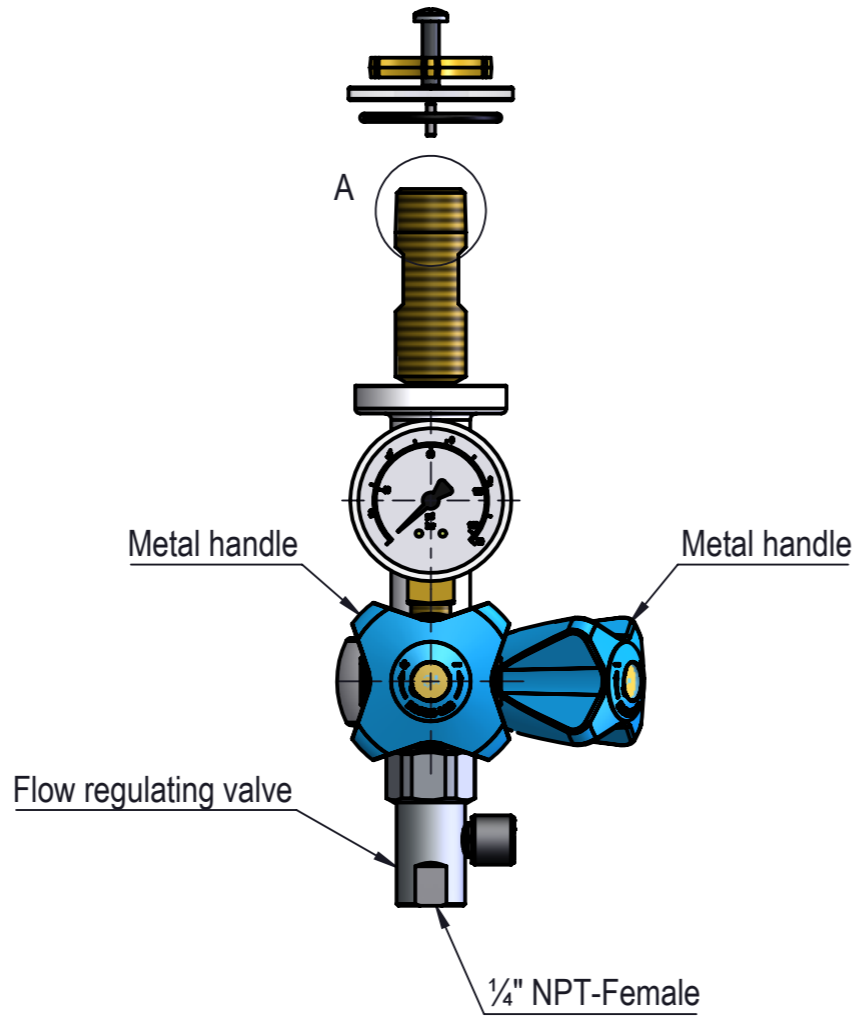
Materials in media contact:
 Brass
 PVDF
 Rubber, FKM
 SS, AISI 316

Mounting:
 1/2" nut with locking pins, O-ring and washer (See 94G0232)

Inlet / outlet connection:
 ANSI B1.20.1 - 1/4" NPT- female connection
 ANSI B1.20.1 - 1/4" NPT- female connection

1/2" NPT ANSI B1.20.1-1983

1/4" NPT ANSI B1,20.1-1983



MEDIA CODE XX FOR
 5.0 TECHNICAL GASES AND OXYGEN
 *Model shown for CA

| Media | Media description | Media code XX |
|------------------|--------------------|---------------|
| H ₂ | Hydrogen | 19 |
| CA | Compressed air | 21 |
| O ₂ | Oxygen | 22 |
| N ₂ | Nitrogen | 23 |
| CO ₂ | Carbon dioxide | 24 |
| Ar | Argon | 25 |
| He | Helium | 26 |
| N ₂ O | Dinitrogenmonoxide | 27 |

| | | | | | | | | | | |
|---|--|--|--|--|--|--|--------------------------------|-----------------------------|---------------------|---------------------------|
| Description: Presure Regulator, Flow valve, Suspended, 1-Hole, 1/4" NPT, NPT female | | | | | | | | | | |
| | | | | | | | Media: High purity gases 5.0 | | | |
| | | | | | | | Comments: | | | |
| | | | | | | | Drawing type: Customer drawing | | Weight: 2.257 Kg | |
| | | | | | | | Designed by: VEF | Drawn by: VEF | Released on TM No.: | Date (DD-MM-YY): 23-09-22 |
| | | | | | | | Format: A3 | Drawing No.: 250500210XX-11 | | |
| BROEN-LAB <small>This drawing is our property and cannot be given to a third party, copied or otherwise used without our permission. BROEN-LAB A/S.</small> | | | | | | | | | | |