

**BROEN-LAB
QUICK CONNECT
WITH BUILT-IN
FLOWREGULATION
FOR 5.0 GASES**






BROEN-LAB QUICK CONNECT

BROEN-LAB QUICK CONNECT

BROEN-LAB

BROEN-LAB QUICK CONNECT

Table of contents

Table of Contents	2
Advantages	2
Product Range	 3
Outlets	 4
Technical Specifications	5
Accessories	 6
Mounting Information	7-8

BROEN-LAB QUICK CONNECT Advantages

Advantages for end users:

- Flexible and compact design increases size of "working area".
- Reduced downtime.
- Innovative and compact design.
- Combined flow valve and Quick Connect.
- Key system protects against undesired mix of media, 11 media keys are available.
- Clear media indication.
- Possibility of attaching additional equipment:
- flow meters, pressure regulators, etc.
- Non-return valve in outlets protects against contamination of equipment.
- Valve is "locked" with no plug inserted.
- Integrated parking position.
- O-ring which seals outlet and Quick Connect is replaceable without disassembling the Quick Connect.

Advantages for architects & furniture manufacturers:

- Increased flexibility in laboratory design.
- Last minute determination of media possible.
- Number of fittings can be reduced due to the flexibility of the Quick Connect.

Advantages for plumbers:

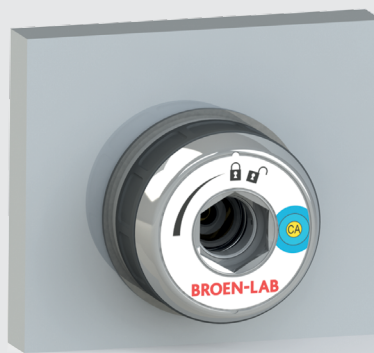
- Simple and rational installation.
- 6 different methods of installation.
- Last minute change of media possible (Prior to start of use).
- Possibility to install additional Quick Connect in the laboratory, using a model for exposed piping.

BROEN-LAB QUICK CONNECT

Product range

Model 1: Built-in

No. 070XXX1



Inlet from rear:
1/4" NPT female

See dimensions on page 7

Model 2: Wall/panel mounting, concealed piping

No. 070XXX2



Inlet from rear:
1/4" NPT female

See dimensions on page 7

Model 3: Wall/panel mounting, exposed piping

No. 070XXX3

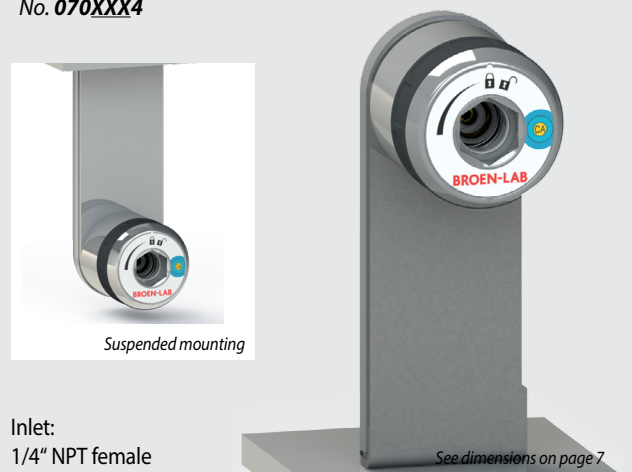


Side inlet:
1/4" NPT female

See dimensions on page 7

Model 4: Bench/suspended mounting

No. 070XXX4



Inlet:
1/4" NPT female

See dimensions on page 7

Description		Compressed Air	Low Vacuum	Oxygen	Nitrogen	Carbon Dioxide	Hydrogen	Argon	Helium
Label: According to standard EN13792:2002									
Label: American recommendation									
Model									
1	Standard EN13792:2002	0700201	0700301	0700401	0700501	0700601	0700701	0700801	0700901
	American recommendation	0700251	0700351	0700451	0700551	0700651	0700751	0700851	0700951
2	Standard EN13792:2002	0700202	0700302	0700402	0700502	0700602	0700702	0700802	0700902
	American recommendation	0700252	0700352	0700452	0700552	0700652	0700752	0700852	0700952
3	Standard EN13792:2002	0700203	0700303	0700403	0700503	0700603	0700703	0700803	0700903
	American recommendation	0700253	0700353	0700453	0700553	0700653	0700753	0700853	0700953
4	Standard EN13792:2002	0700204	0700304	0700404	0700504	0700604	0700704	0700804	0700904
	American recommendation	0700254	0700354	0700454	0700554	0700654	0700754	0700854	0700954

3 additional media options available on request.

BROEN-LAB QUICK CONNECT

Outlets

**90° outlet with serrated hose nozzle
(incl. non-return valve)**

No. 07XXX00



See dimensions on page 8

**90° outlet with 1/4" NPT female
(incl. non-return valve)**

No. 07XXX10

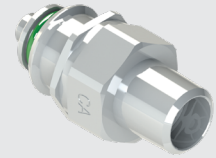


1/4" NPT female

See dimensions on page 8

**Straight outlet
(incl. non-return valve)**

No. 070XX00



1/4" NPT male

See dimensions on page 8

**Flow meter
(incl. non-return valve)**

No. 07XXX3Y



See dimensions on page 8

**Pressure regulator
(incl. non-return valve)**

No. 07XXX2ZSP



See dimensions on page 8

Flow meter

Letter **Y** in part number designates flow range:

Y	3	2
flow range	0-5 l/min	0-15 l/min

Pressure regulator

Letter **Z** in part number designates pressure range:

Z	3	4
press. range	0-3 bar	0-10 bar

Pressure regulator with a pressure range of 0-1 bar/
0-100kPa (0-14.5psi) is available on request

Description	Compressed Air	Low Vacuum	Oxygen	Nitrogen	Carbon Dioxide	Hydrogen	Argon	Helium
Label: According to standard EN13792:2002								
Label: American recommendation								
Model								
Standard EN13792:2002	0705100	0705200	0705300	0705400	0705500	0705600	0705700	0705800
American recommendation	0755100	0755200	0755300	0755400	0755500	0755600	0755700	0755800
Standard EN13792:2002	0705110	0705210	0705310	0705410	0705510	0705610	0705710	0705810
American recommendation	0755110	0755210	0755310	0755410	0755510	0755610	0755710	0755810
Standard EN13792:2002	0707100	0707200	0707300	0707400	0707500	0707600	0707700	0707800
Standard EN13792:2002	070513Y	-	070533Y	070543Y	070553Y	070563Y	070573Y	070583Y
American recommendation	075513Y	-	075533Y	075543Y	075553Y	075563Y	075573Y	075583Y
Standard EN13792:2002	070512ZSP	-	070532ZSP	070542ZSP	070552ZSP	070562ZSP	070572ZSP	070582ZSP
American recommendation	075512ZSP	-	075532ZSP	075542ZSP	075552ZSP	075562ZSP	075572ZSP	075582ZSP

3 additional media options available on request.

BROEN-LAB QUICK CONNECT

Technical specifications

Quick Connect

Operating pressure: -1 bar to 10 bar
 -14.5 psi to 145 psi

Purity: 5.0 (Only obtainable if system is purged when reconnected)

Test pressure: 1.5 x operating pressure

Operating temperature: 0°C to 60°C.
 23°F to 140°F

Standard media : Inactive gases
 (Air, Vac, O₂, N₂, CO₂, H₂, Ar & He)

Non-standard media must be confirmed by BROEN-LAB.

Inlet: 1/4" NPT female

Materials in media contact: Stainless Steel, brass & PVDF

Gaskets: FKM

External parts: Stainless Steel, chemical nickel plated brass & EPDM rubber

Outlets

Materials: Stainless Steel and chemical nickel plated brass

Gaskets: FKM

Pressure regulator

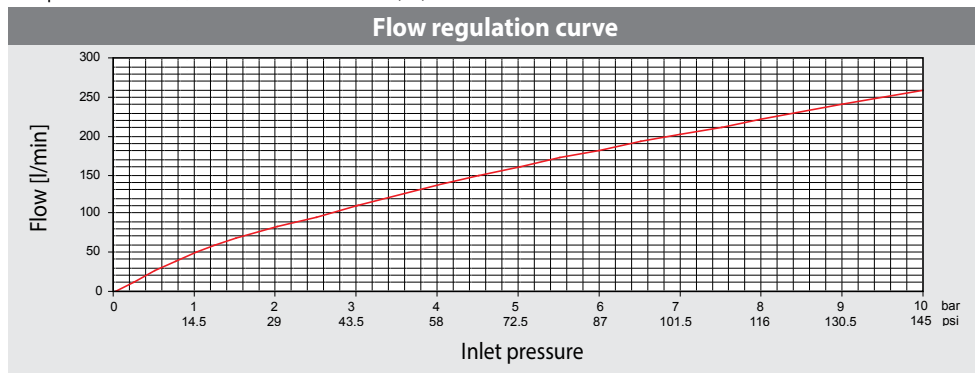
Recommended P1=2xP2+1 (lower pressure [P1] is possible but will result in minimum inlet lower achievable flowrate)
 pressure [P1]:

BROEN-LAB QUICK CONNECT

Flow charts

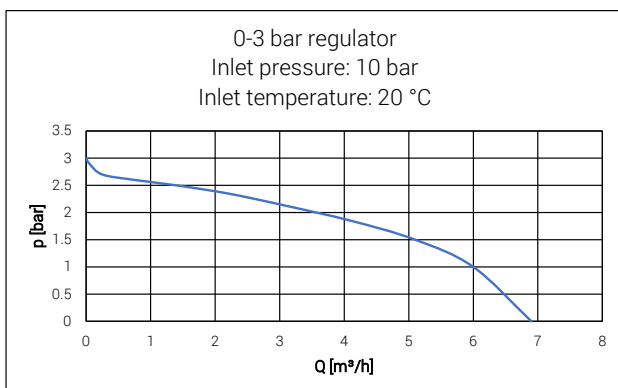
QC + 90° outlet - No. 07XXX00

Example flow chart for Quick Connect and 90° outlet (CA)

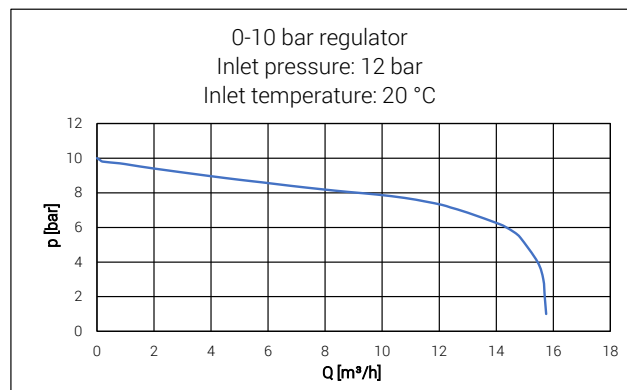


Pressure regulator

0-3 bar regulator



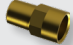




0-10 bar regulator





BROEN-LAB QUICK CONNECT

Accessories

Description	Characteristics	Product No.
BROEN-LAB UniFlex™ elbow fitting 	Material: Brass Connections: Male 1/4"NPT - Female BROEN-LAB UniFlex™	02101270
BROEN-LAB UniFlex™ T-fitting 	Material: Brass Connections: Male 1/4"NPT - 2 x Female BROEN-LAB UniFlex™	02101220
BROEN-LAB UniFlex™ straight fitting 	Material: Brass Connections: Male 1/4"NPT - Female BROEN-LAB UniFlex™	02550220
BROEN-LAB UniFlex™ hose 	Material: Braiding: Stainless Steel Plastic: Teflon (PTFE)**** Rubber: FKM**** Metal: Brass Connections: OD10mm-UniFlex™ OD12mm-UniFlex™ OD15mm-UniFlex™ Union nut G1/2-UniFlex™ UniFlex™-UniFlex™	93R1020xxxx*** 93R1220xxxx 93R1520xxxx 93R4020xxxx 93R2020xxxx
BROEN-LAB Flexible Stainless Steel pipe 	Material: Braiding: Stainless Steel Metal: Stainless Steel Connections: Male 1/4"NPT-OD10mm OD10mm-OD10mm ...	93S7080xxxx*** 93S8080xxxx

For more information about hoses and their technical specifications please require document 99G0005: BROEN-LAB Uniflex - Flexible Pipes & Hoses

Description	Characteristics	Product No. (all media)
Swagelok* straight tube fitting 	Material: Stainless Steel Connections: Male 1/4"NPT Tube diameter**: 3 mm: 4 mm: 6 mm: 8 mm: 1/4": 1/8":	96I01000 96I01010 96I01020 96I01110 96I01030 96I01040
Swagelok* elbow tube fitting 	Material: Stainless Steel Connections: Male 1/4"NPT Tube diameter: 3 mm: 4 mm: 6 mm: 8 mm: 1/4": 1/8":	96I01060 96I01070 96I01080 96I00430 96I01090 96I01100
Swagelok* hose connector 	Material: Stainless Steel Connections: Male 1/4"NPT Hose ID: 1/4":	96I00450

* Swagelok – TM Swagelok Company.

** Other dimensions available on request.

*** Standard lengths of hoses (xxxx):

0500 =500mm, 0700 =700mm, 1000 =1000mm, 1200 =1200mm, 1500 =1500mm, 2000 =2000mm, 2500 =2500mm, 3000 =3000mm

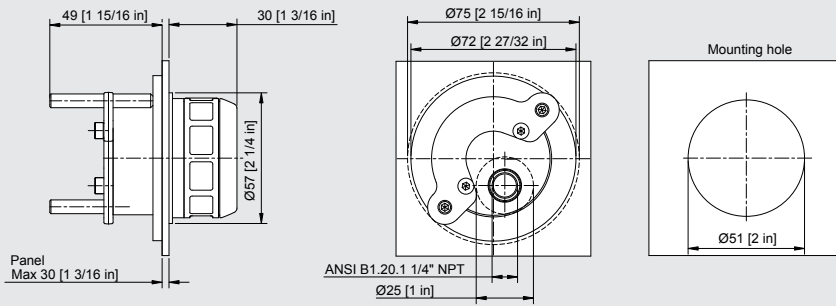
**** PTFE and rubber are penetrable materials meaning that gases, vapors, and liquids may diffuse through them.

Always check compatibility with gases in application!

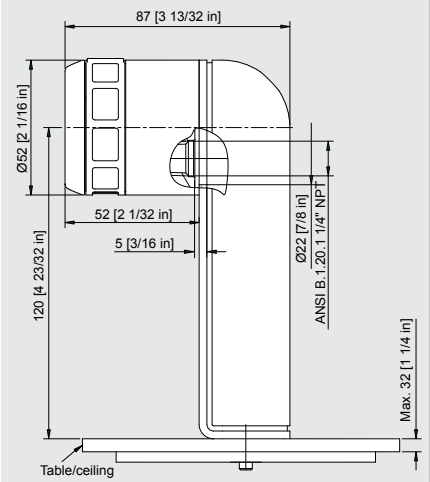
BROEN QUICK CONNECT

Mounting information

Built-in: No. 070XXX1

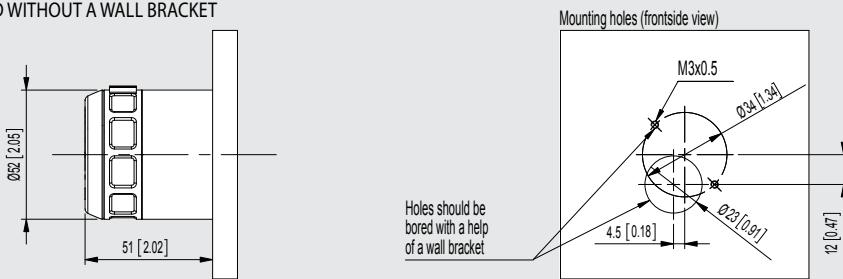


Bench/suspended mounted: No. 070XXX4

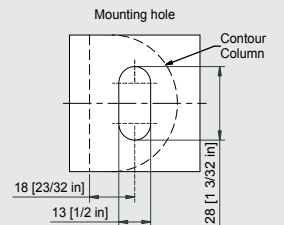
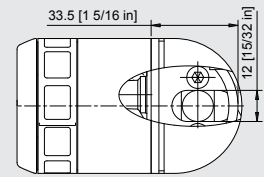
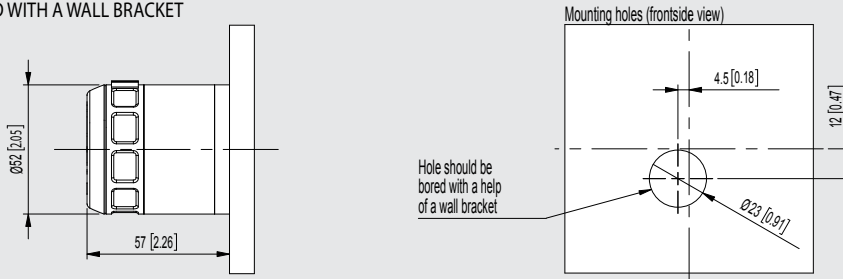


Wall/panel mounted, concealed piping 070XXX2.

MOUNTED WITHOUT A WALL BRACKET

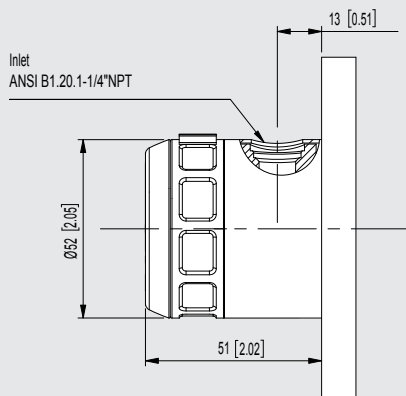


MOUNTED WITH A WALL BRACKET

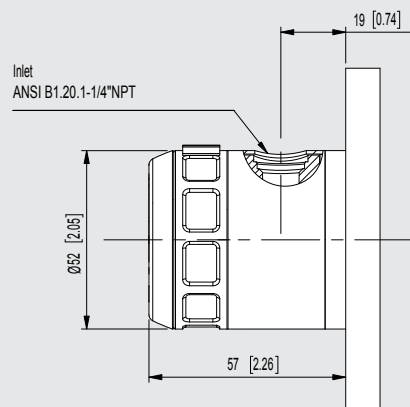


Wall/panel mounted, exposed piping 070XXX3. Mounted from the frontside

MOUNTED WITHOUT A WALL BRACKET



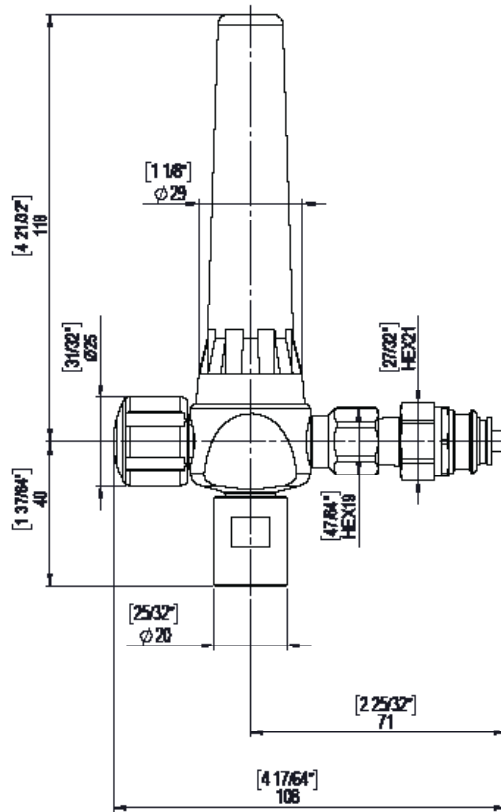
MOUNTED WITH A WALL BRACKET



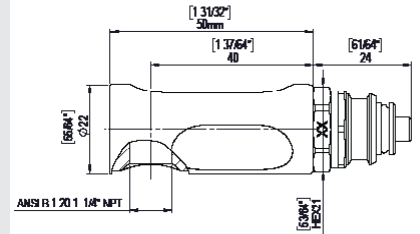
BROEN QUICK CONNECT

Mounting information

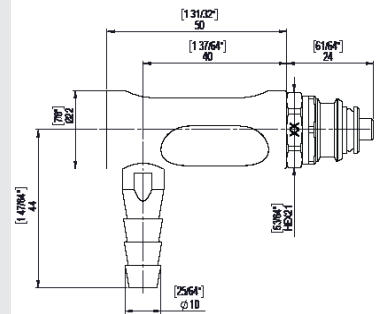
Flow meter: No. 07XXX3Y



90° outlet with serrated hose nozzle: No. 07XXX00

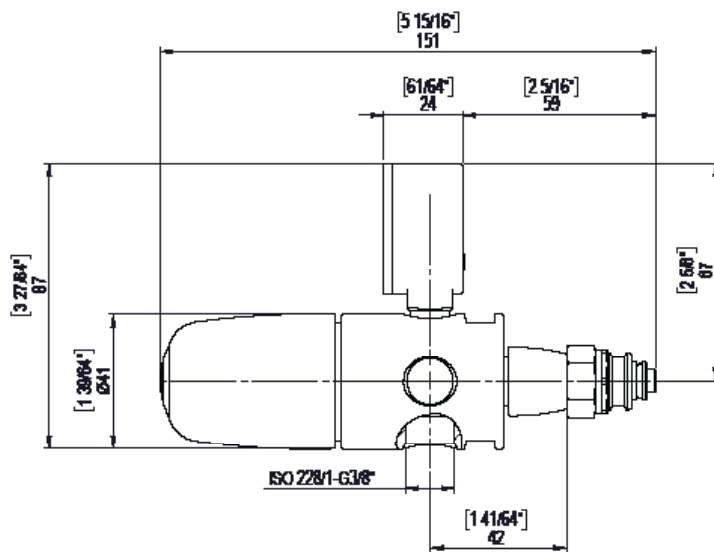


90° outlet: No. 07XXX10



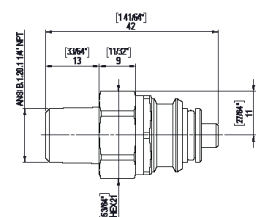
Pressure regulator: No. 07XXX2ZSP

No. 07XXX2ZSP



Straight outlet: No. 070XX00

No. 070XX00



BROEN-LAB develops, manufactures and sells Laboratory Fittings, Emergency Shower Systems and Eye Wash Systems into a broad spectrum of laboratories and industrial locations; sectors include Pharmaceutical, Food&Beverage and Academia. Our expertise and product quality ensure optimal solutions compliant to all relevant international norms setting new standards in risk mitigation in modern research and development facilities.

BROEN-LAB offer solutions that ensure the functionality, compliance, hygiene, durability and safety are of the highest priority. For over 50 years our products have been integrated into a wide variety of workplaces, laboratories, hospitals and industrial locations, with features that are assessed and designed to be flexible, durable and compliant offering a broad range of options tailored to each location. This inherent design integrity provides confidence in the solution adopted wherever in the world these are applied.

BROEN-LAB is a collaboration partner in the design and layout of your next laboratory and it's integrated safety solutions.

HEAD OFFICE

BROEN-LAB A/S

Drejervaenget 2 • DK-5610 Assens
Denmark

Tel.: +45 6376 6376 • Fax +45 6471 2476

E-mail: lab@broen.com



BROEN-LAB A/S ISO 9001 certification

In September 1991 BROEN-LAB A/S was certified according to ISO 9001 as one of the first Danish companies. The certification was carried out by Bureau Veritas, Denmark, for our Danish site in Assens. The quality management system of BROEN-LAB A/S now complies with detailed specifications laid down by the internationally acknowledged EN ISO 9001:2015. This certification will further contribute to reputation for quality and reliability of BROEN-LAB A/S.

INTERNATIONAL OFFICES

BROEN-LAB Ltd

Tel. +44 121 522 4515

E-mail: lab@broen-lab.com

BROEN-LAB Singapore Pte. Ltd.

25 International Business Park #04-60A German Centre
Singapore 609916

Tel. +65 6298 0662 • Fax +65 6298 0468

E-mail: lab@broen-lab.com

BROEN-LAB GmbH

Tel.: +45 6376 6376 • Fax +45 6471 2476

E-mail: lab@broen-lab.com

BROEN-LAB Sverige AB

Tel.: +45 6376 6376 • Fax +45 6471 2476

E-mail: lab@broen-lab.com

BROEN-LAB Inc.

15 Constitution Drive Suite 122
Bedford • NH 03110 • USA

Tel.: +1 603 310 5089

E-mail: lab@broen-lab.com

www.BROEN-LAB.com

BROEN-LAB