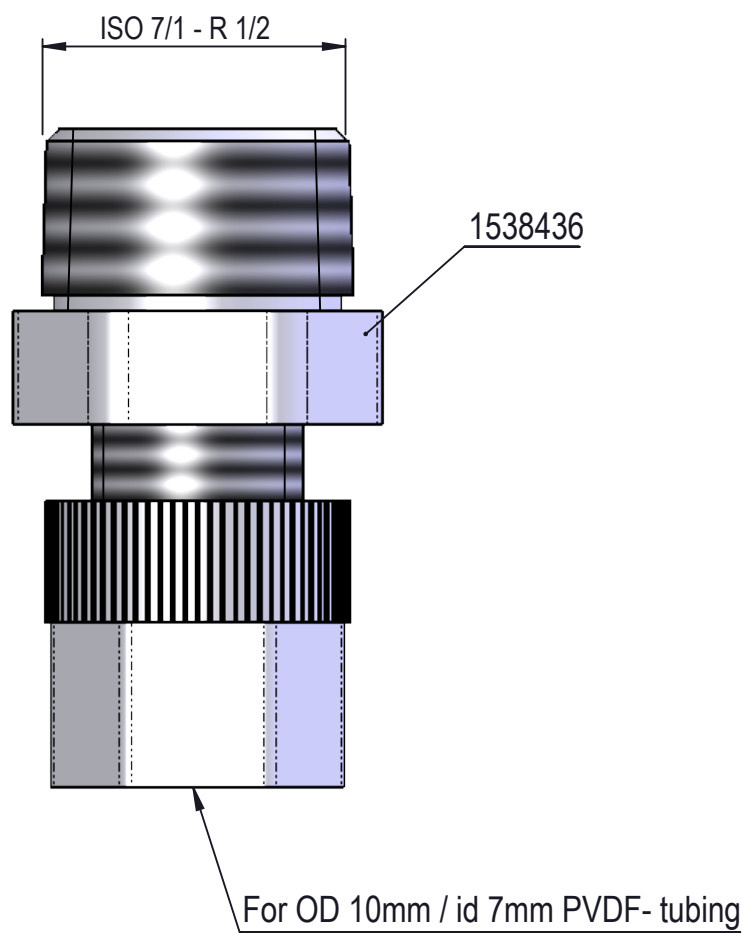
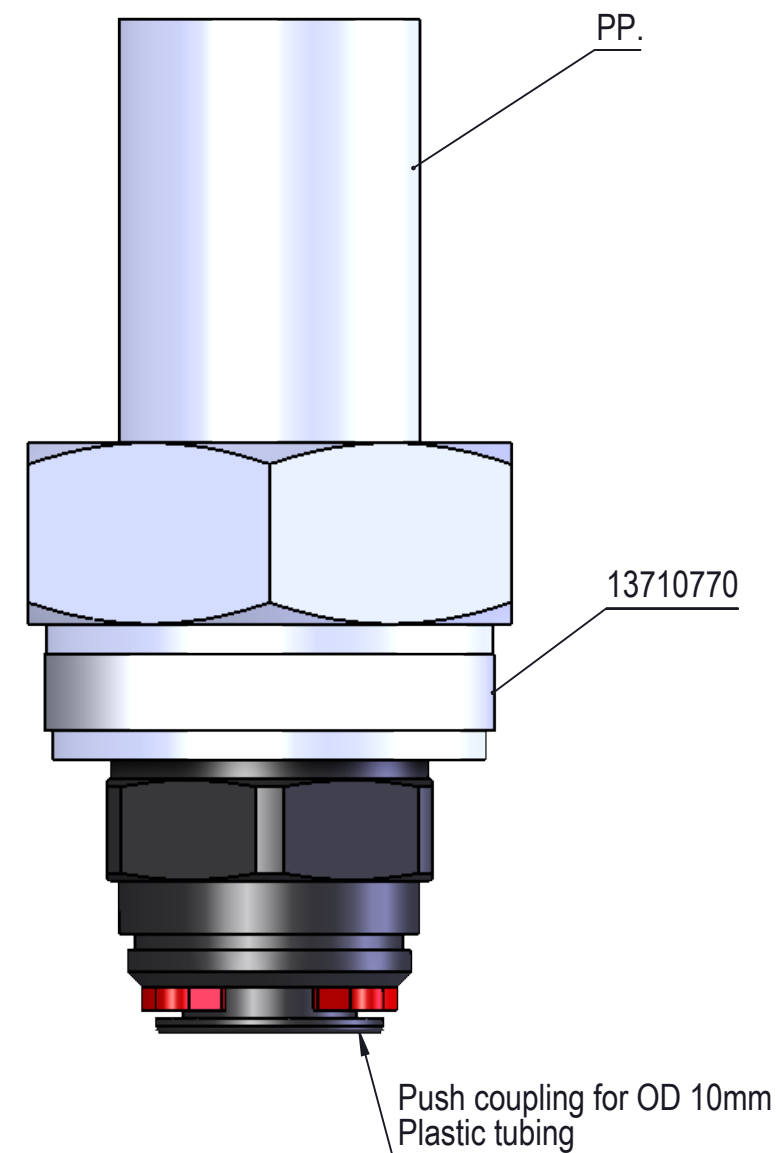
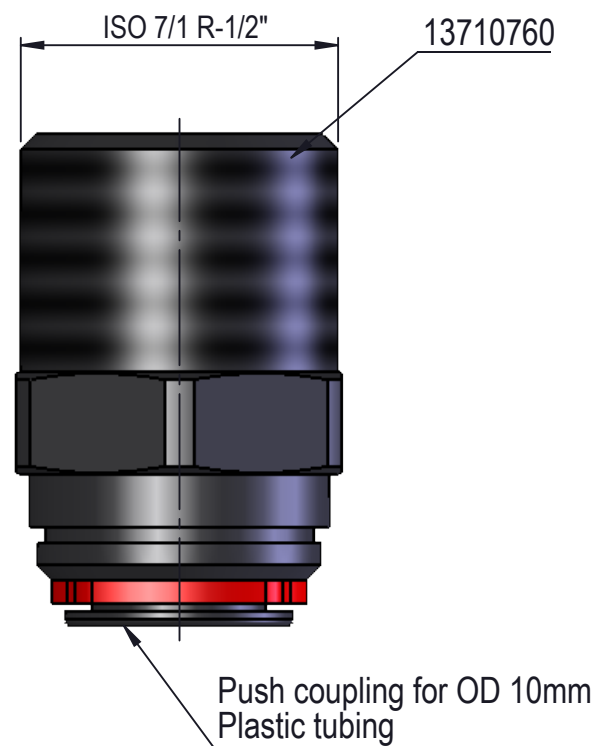


PVDF Adapter

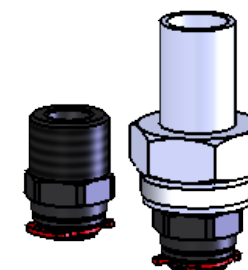
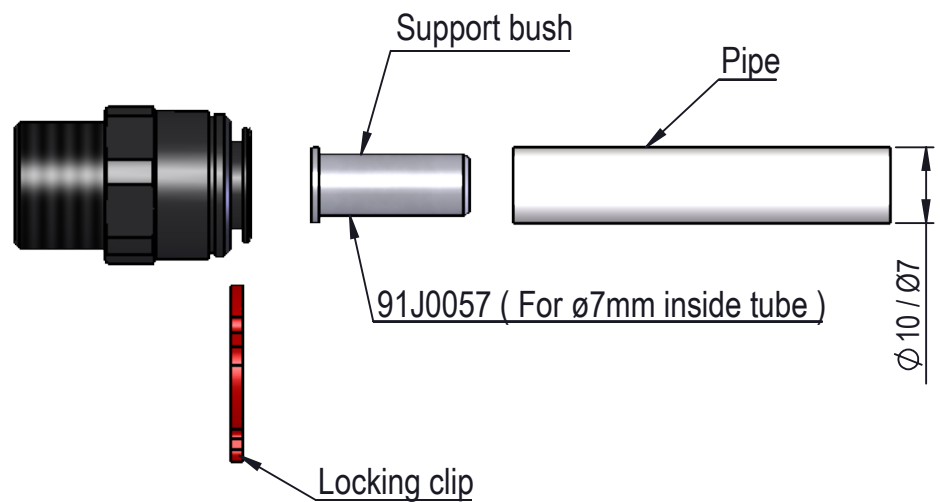


JG- Adapter from OD 10mm plastic tubing to thread : G-1/2 connection

JG - Adapter from OD 10mm plastic tubing to -, butt-, socket- BCF® - welding



Mounting instruction



Description:		Adaptor for Ø10mm hose	
Media:		Special water	
Material:			
Specification:			
Comments:			
Drawing type:		Weight: 0.028 Kg	
All dimensions made with are inspection dimensions			
Unspecified linear tolerances:		Unspecified angular tolerances:	
Rev. B	Pos.	Date 02-02-18	TM No. 7100
		Design by TLA	Drawn by TLA
Change: Drawing updated			
Designed by:	Drawn by: BJP	Released on TM No. 6066	Date: 07-06-13
Format: A3	Drawing No.:		99G0022

BROEN-LAB

This drawing is our property and cannot be given to a third party, copied or otherwise used without our permission. BROEN-LAB A/S

