

4

3

2

1

D

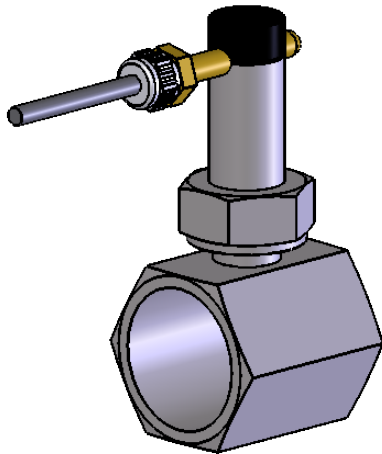
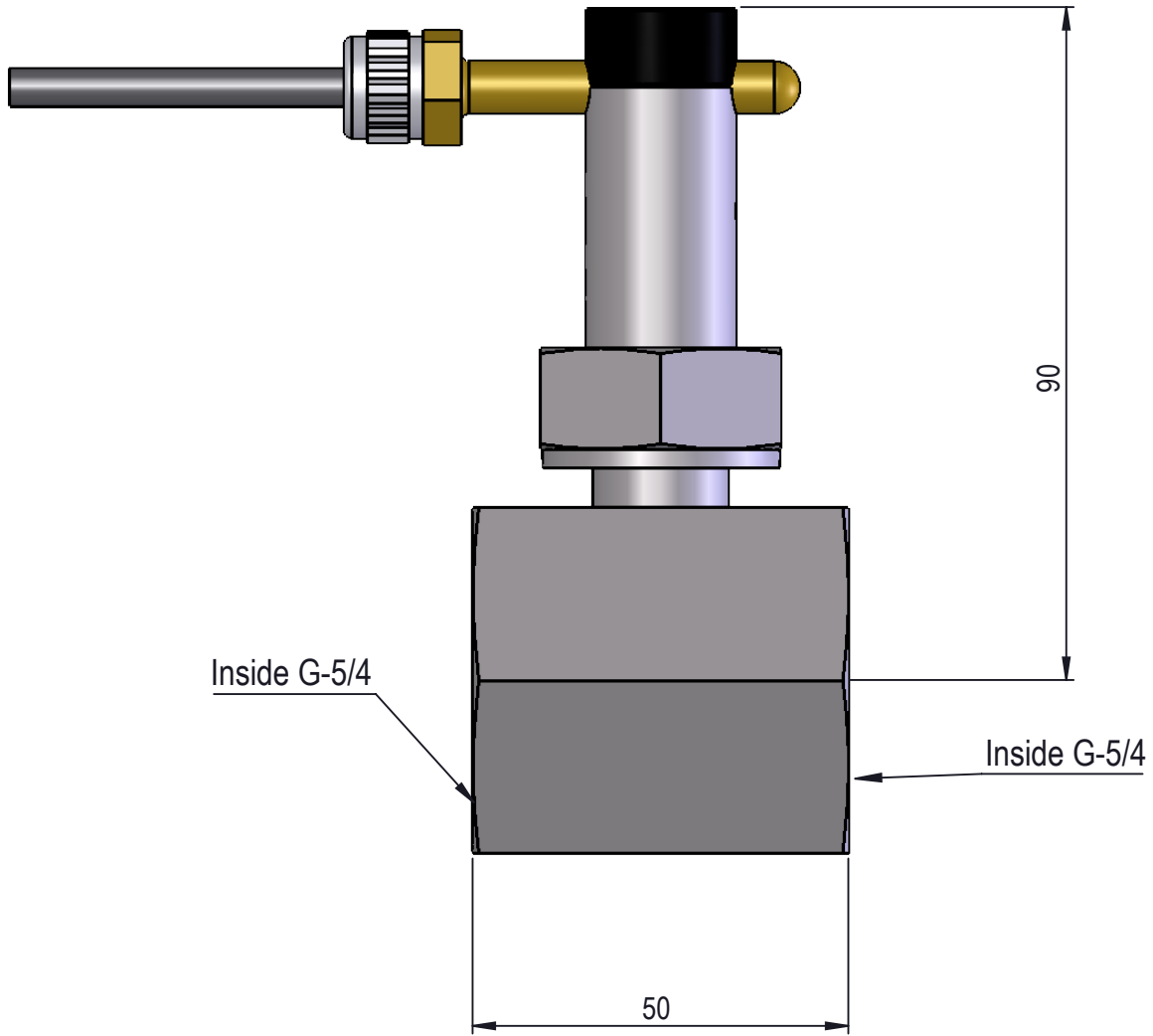
D

C

C

B

B



Description:	Flow switch. G-5/4
Media:	
Material:	Brass
Specification:	UR.-032GM -80L/min (21,1 gal US)

Comments:

Drawing type:	Customer drawing	Weight:	0.499 Kg
---------------	------------------	---------	----------

All dimensions made with  are inspection dimensions

Unspecified liniar tolerances:	Unspecified angular tolerances:
--------------------------------	---------------------------------

Designed by:	Drawn by:	Released on TM No.	Date:
mka	BJP		24-06-19

Format:	Drawing No.:
A4	96P0063

BROEN-LAB

This drawing is our property and cannot be given to a third party, copied or otherwise used without our permission. BROEN-LAB A/S



4

3

2

1

A