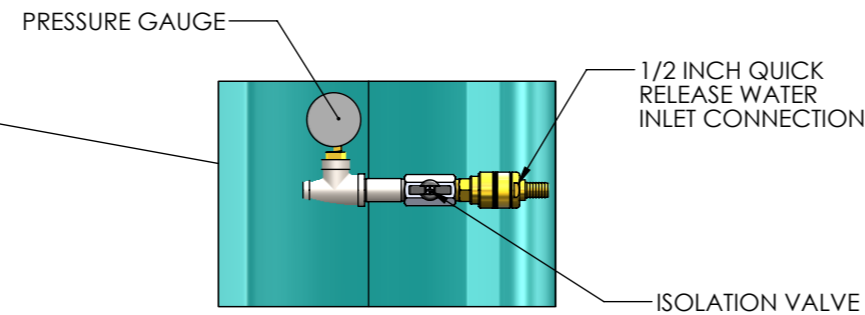
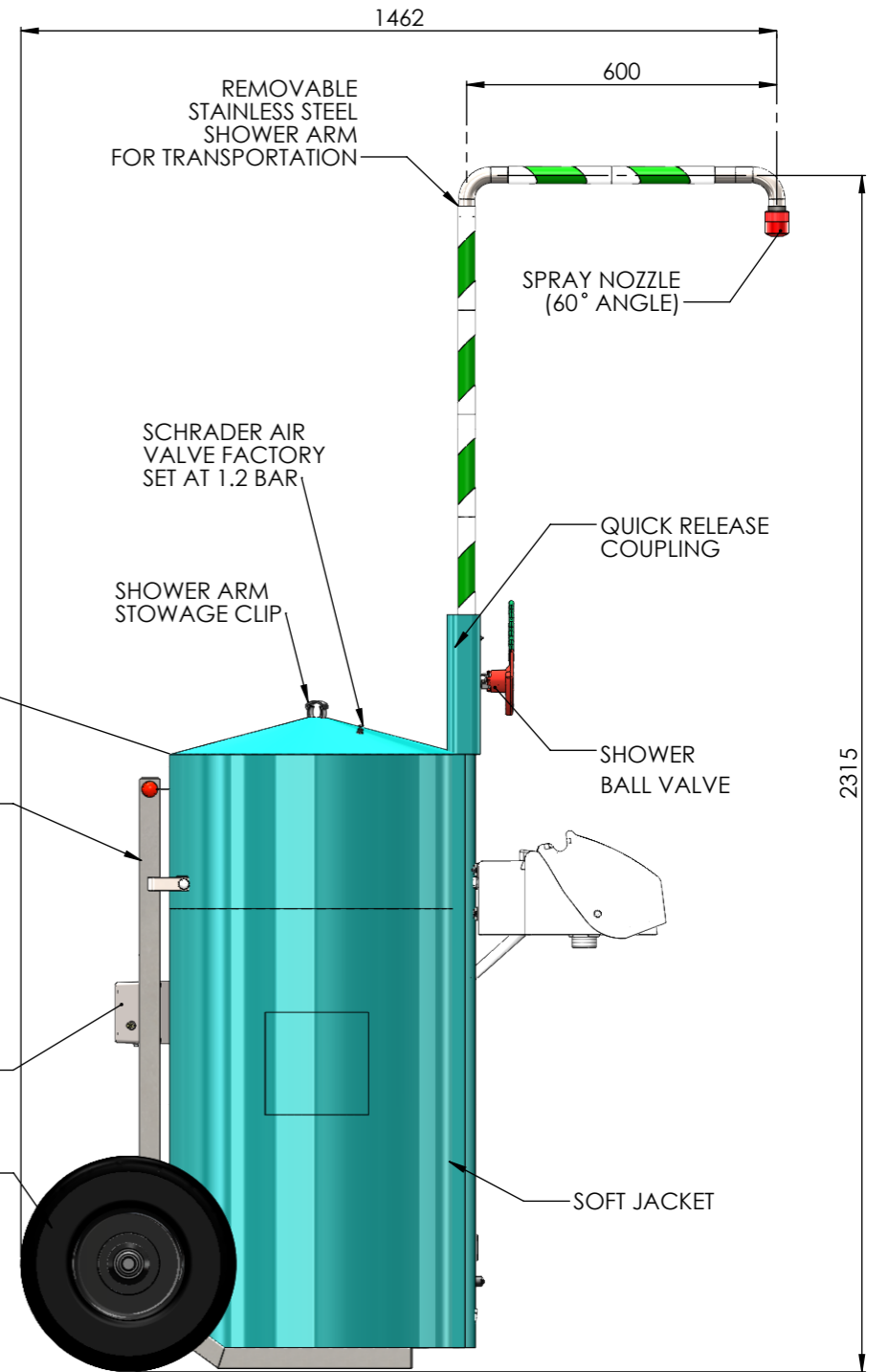
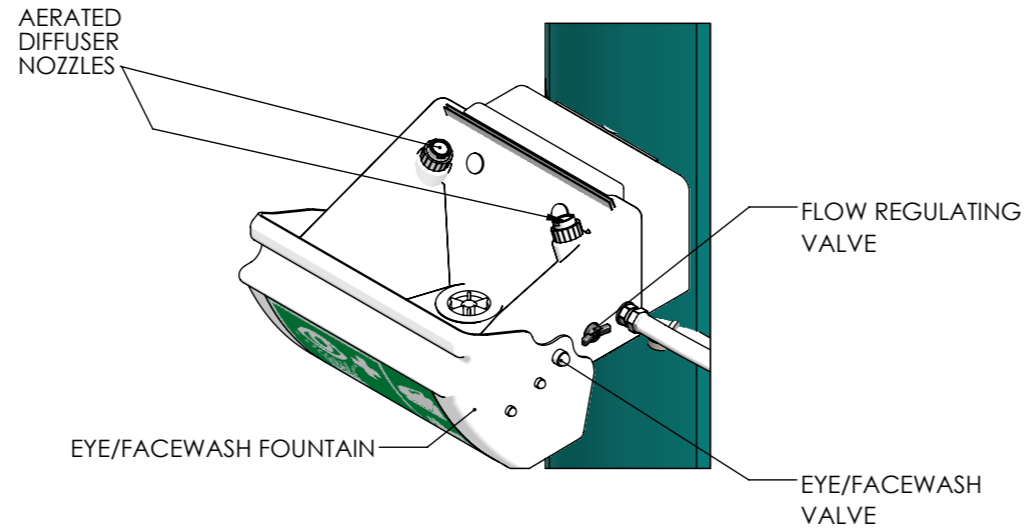
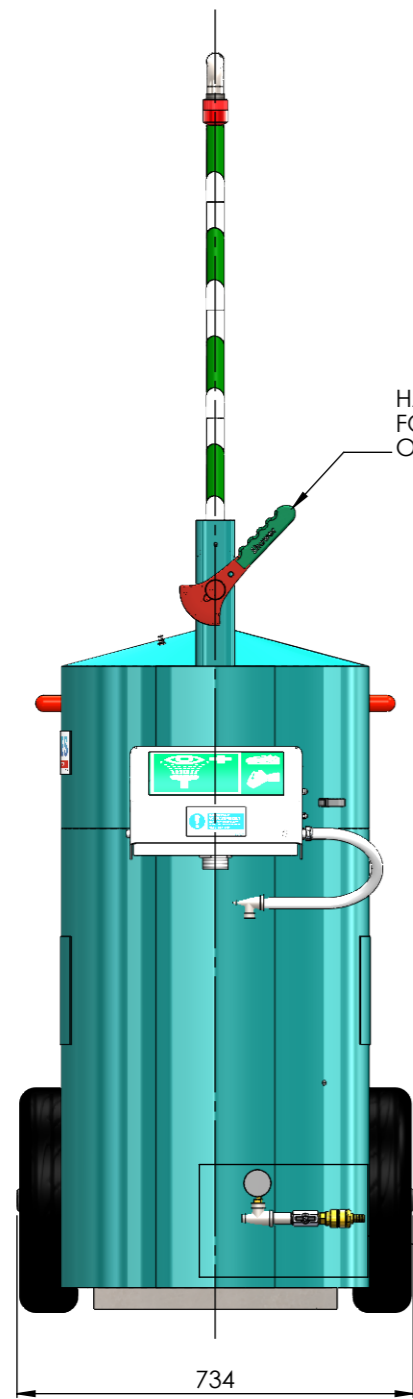


PROJECTION 



DETAIL C  
SCALE 1 : 7

REV	DRAWN	REASON	ECN #	CHECKED	APPROVED	DATE
A	AV	1st Release	1st Rel	JH	JH	28/01/2021

**BROEN-LAB**

Drejervaenget 2  
5610 Assens  
Denmark  
Tel. +45 6376 6376  
lab@broen-lab.com

	NAME	DATE
DRAWN:	AV	28/01/2021
CHECKED:	JH	28/01/2021
APPROVED:	JH	28/01/2021

MATERIAL:  
VARIOUS

DEBUR AND BREAK SHARP EDGES  
DIMENSIONS ARE IN MILLIMETRES  
UNLESS SPECIFIED OTHERWISE  
TOLERANCES  
LINEAR: ±10mm > 1000mm / ±5mm < 1000mm  
ANGULAR: ±0.5°

SCALE:1:14 @ A3

DO NOT SCALE OFF DRAWING

TITLE:  
**MODEL: STD-H-40K/45G (F2)**  
**MOBILE SELF-CONTAINED HEATED EMERGENCY SAFETY SHOWER**

FINISH: CLEAN SHEET 1 OF 1 DWG NO. H7470021000321

REVISION  
**A**  
**A3**