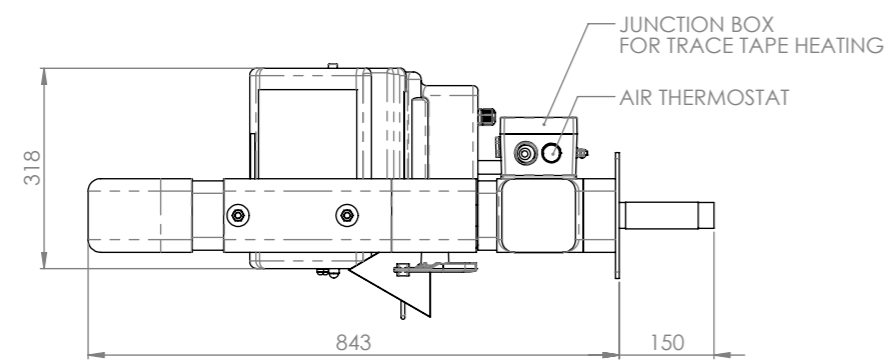
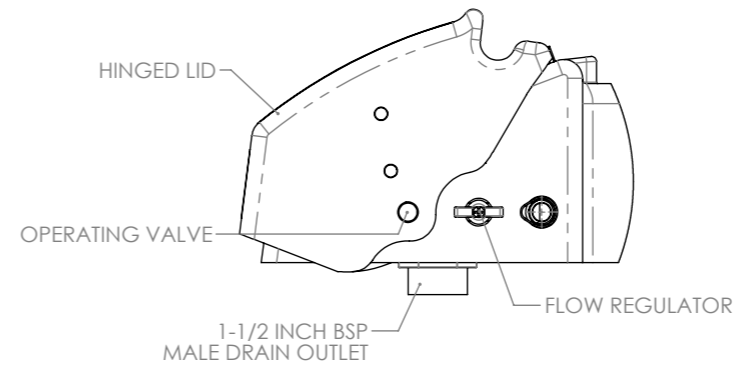
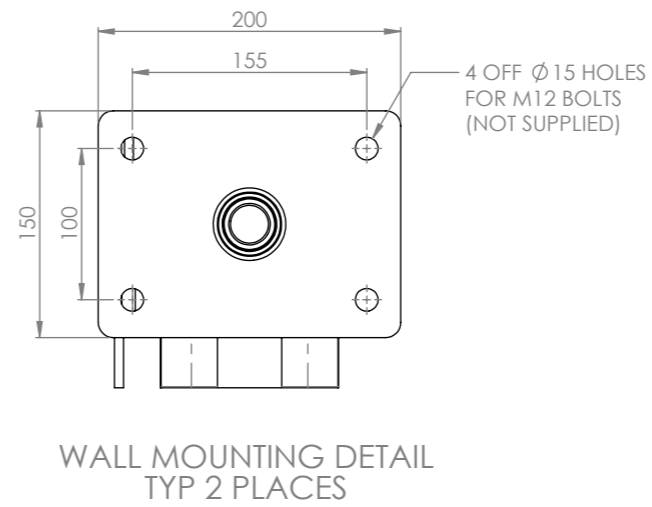
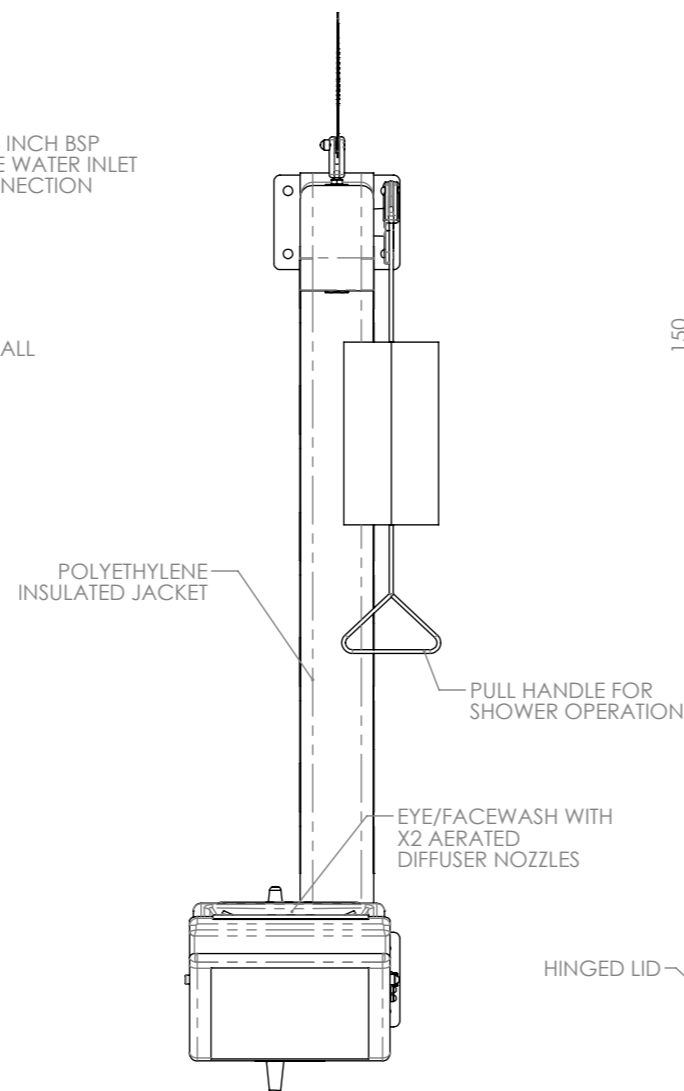
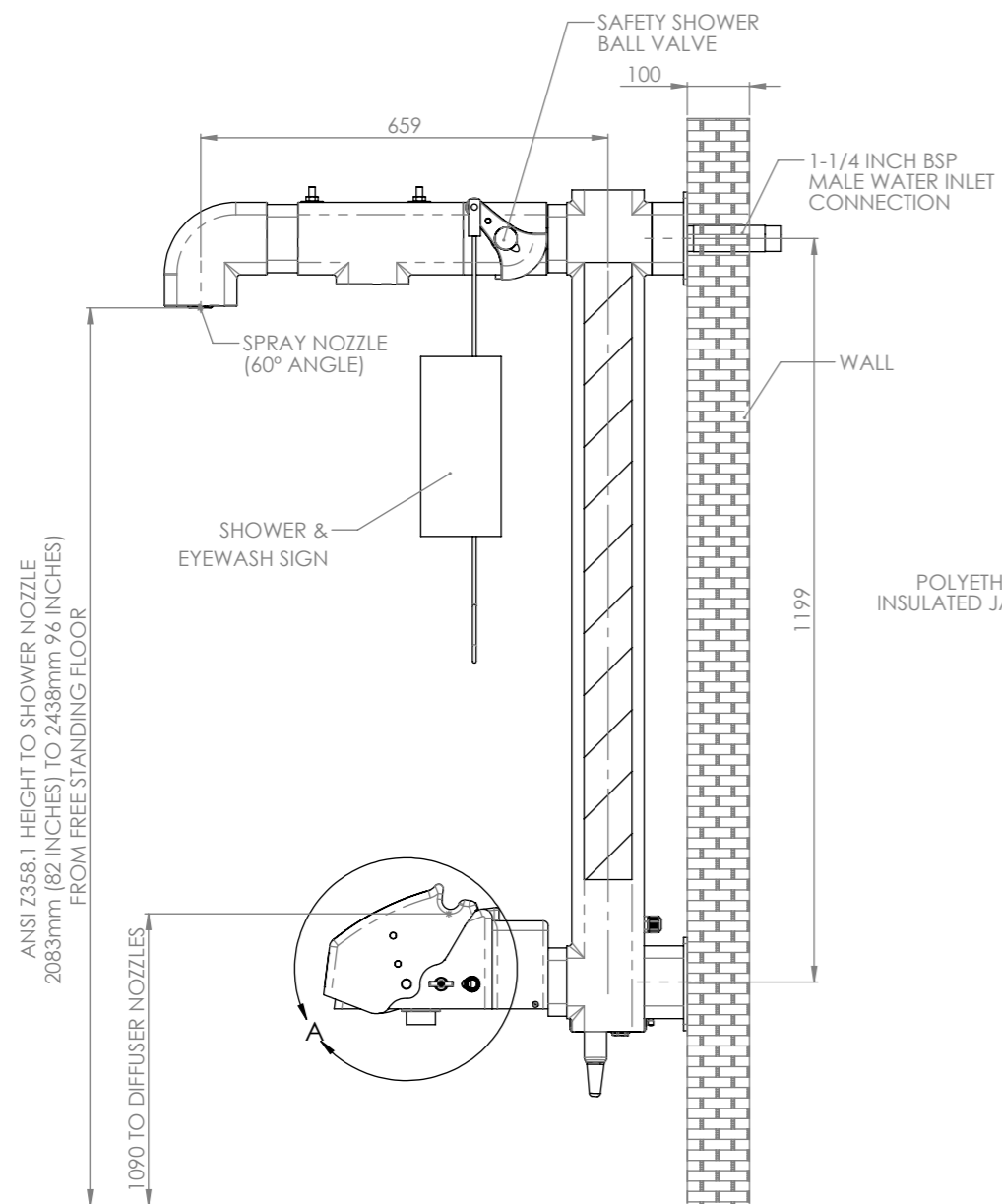


DIMENSIONS IN MILLIMETRES PROJECTION



- NOTES:
- SUITABLE FOR USE IN ZONE 1&2 AREAS, GAS GROUPS IIA, IIB
 - ELECTRICAL SUPPLY TO BE 240V/1PH/50HZ

BROEN-LAB

Drejervaenget 2
5610 Assens
Denmark
Tel. +45 6376 6376
lab@broen-lab.com

	NAME	DATE
DRAWN:	S.W.	16/05/13
CHECKED:	A.L.	16/05/13
APPROVED:	A.L.	16/05/13

MATERIAL:
316 STAINLESS STEEL

DEBUR AND BREAK SHARP EDGES
DIMENSIONS ARE IN MILLIMETRES UNLESS SPECIFIED OTHERWISE
TOLERANCES:
LINEAR:
ANGULAR:
SCALE:1:12
DO NOT SCALE OFF DRAWING

TITLE:
EXP-AH-5GS/45G - WALL MOUNTED
FINISH:
CLEAN
DWG NO.
H7430011000221

REVISION
A
A3