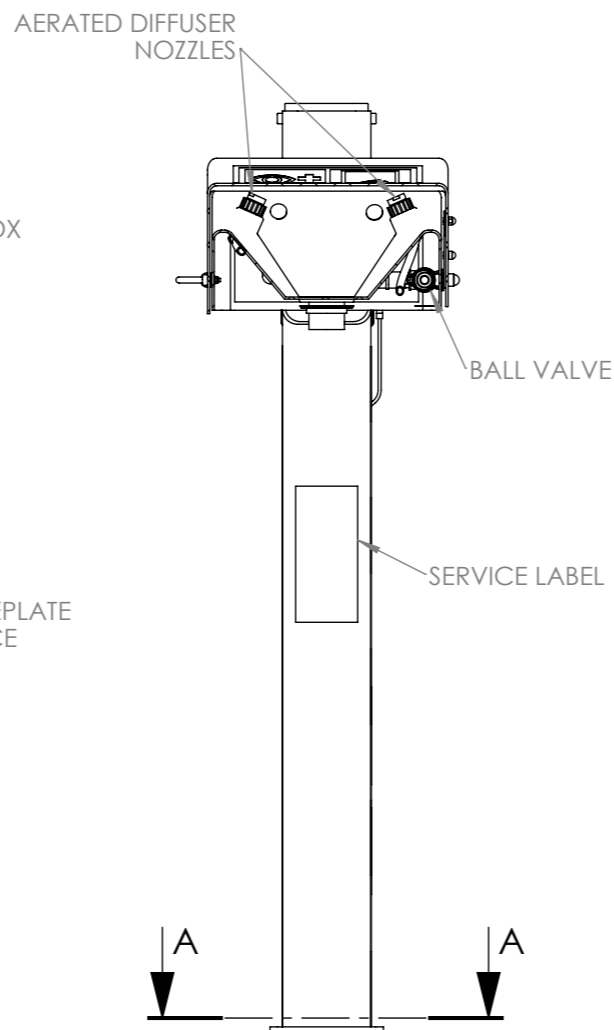
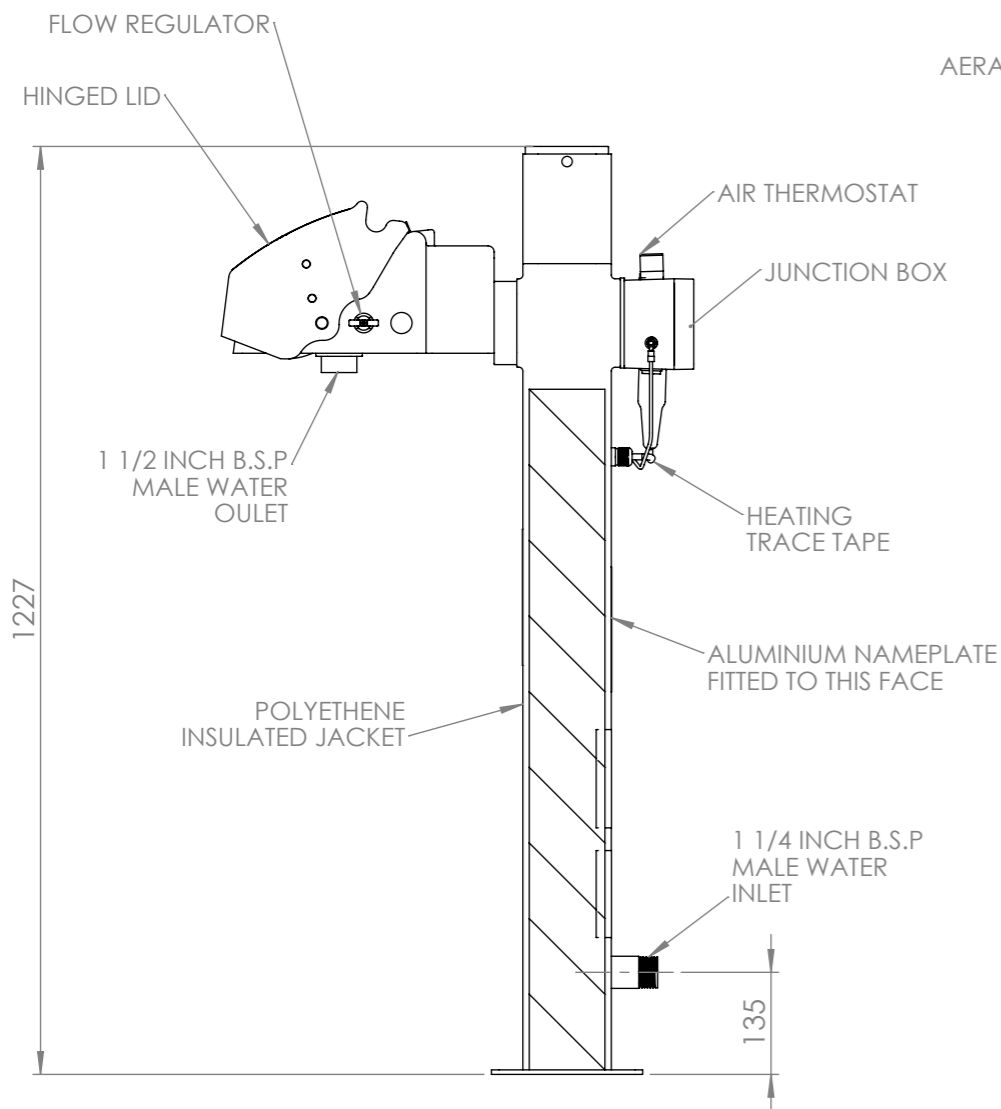
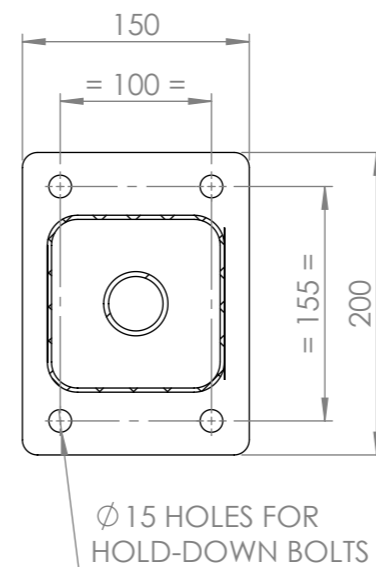


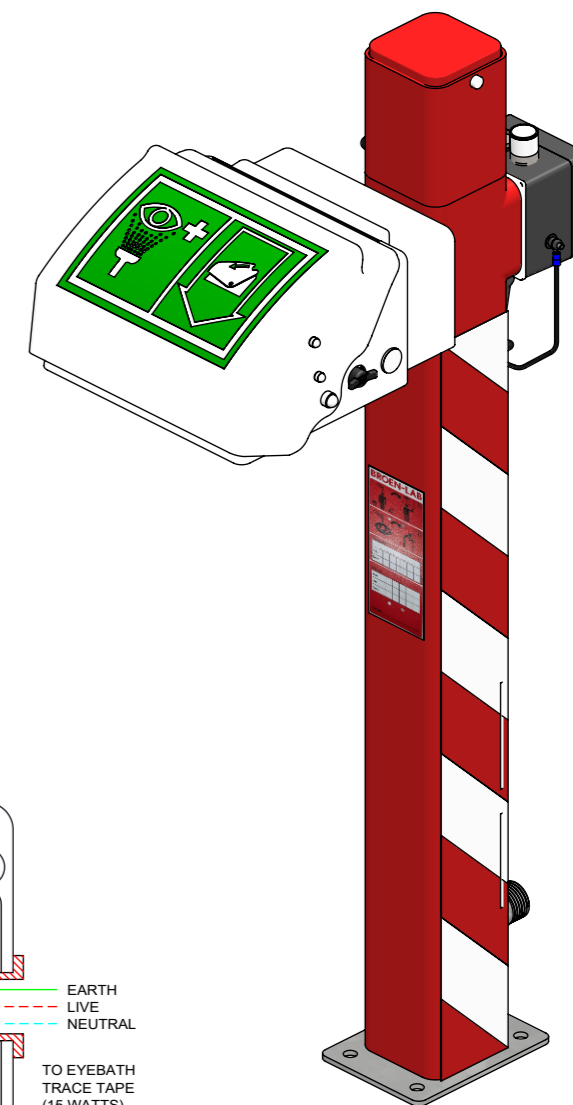
SIDE VIEW



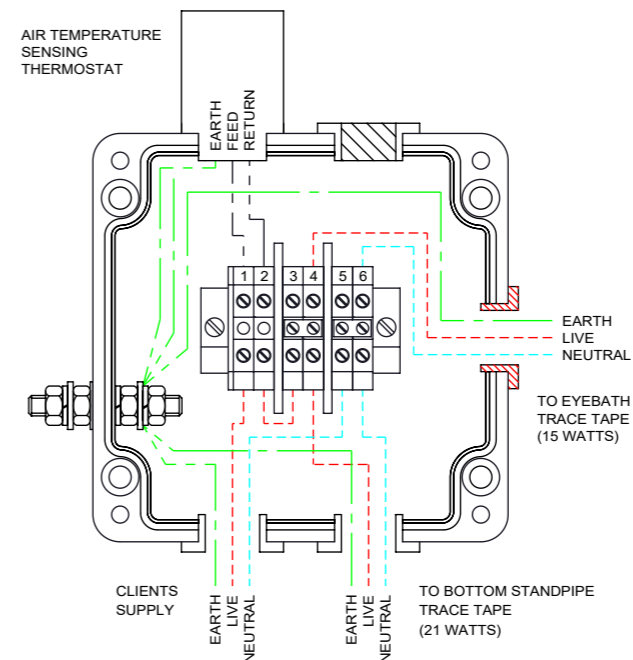
SECTION A-A



ISOMETRIC VIEW



WIRING DIAGRAM



MINIMUM WORKING TEMPERATURE: -20 °C

**BROEN-LAB**

Drejervaenget 2  
5610 Assens  
Denmark  
Tel. +45 6376 6376  
lab@broen-lab.com

	NAME	DATE
DRAWN:	S.W.	16/05/13
CHECKED:	A.L.	16/05/13
APPROVED:	A.L.	16/05/13
MATERIAL:	304 STAINLESS STEEL	

DEBUR AND BREAK SHARP EDGES
DIMENSIONS ARE IN MILLIMETRES UNLESS SPECIFIED OTHERWISE
TOLERANCES: LINEAR: ANGULAR:
SCALE:1:20
DO NOT SCALE OFF DRAWING

TITLE: OUTDOOR PEDESTAL MOUNTED EMERGENCY EYE/FACWASH FOUNTAIN. SUITABLE FOR FLAMEPROOF AREAS. SUPPLY VOLTAGE 230V, 50 OR 60 HZ.		
FINISH: CLEAN	DWG NO. SHEET 1 OF 1	H7310011000221

REVISION B
A3