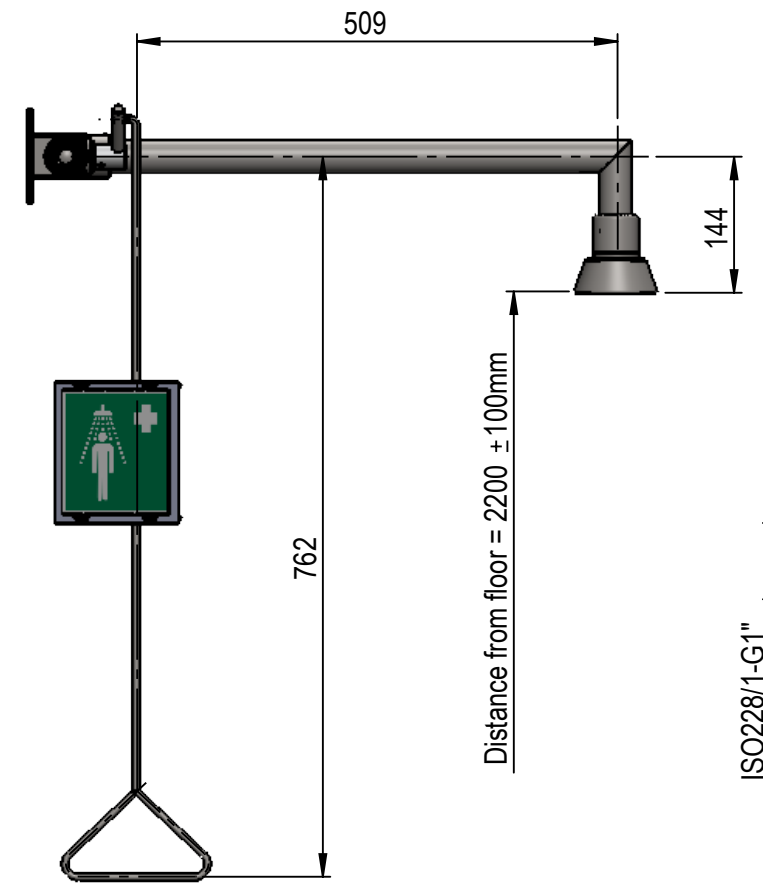
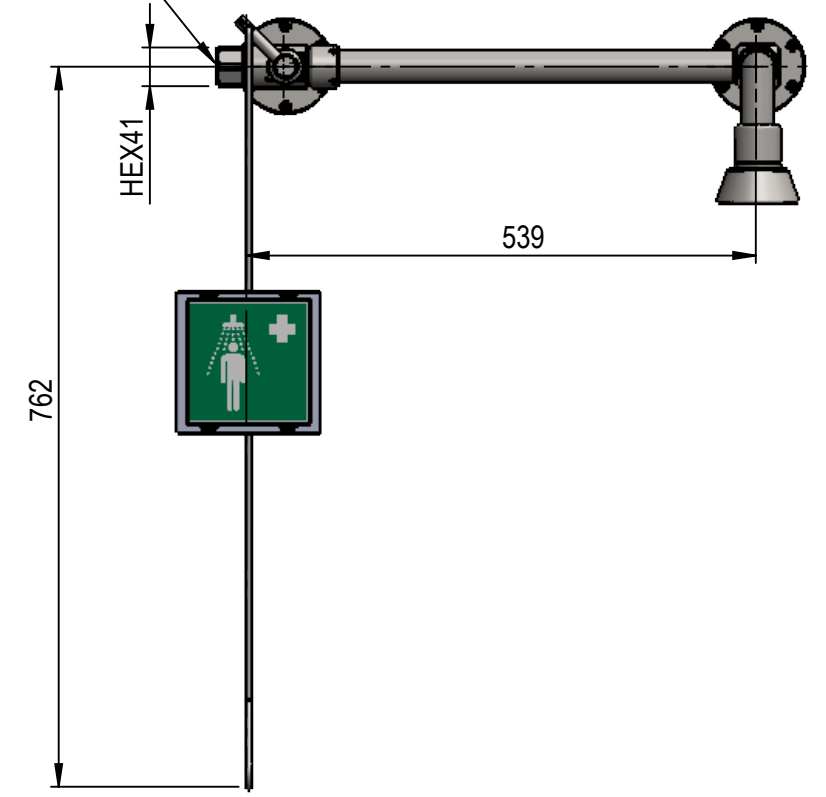
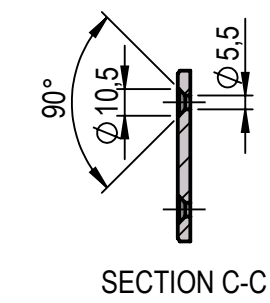
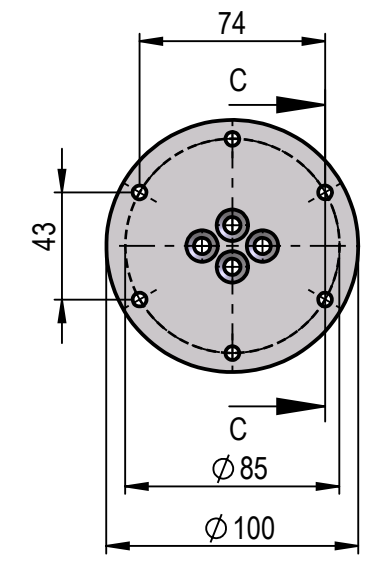
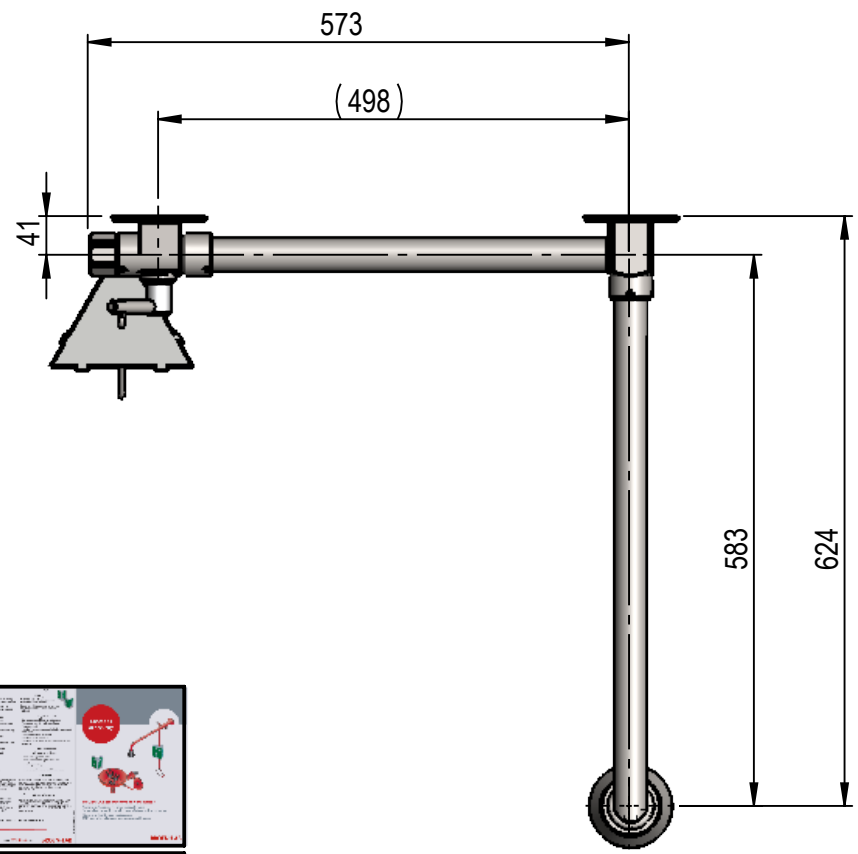
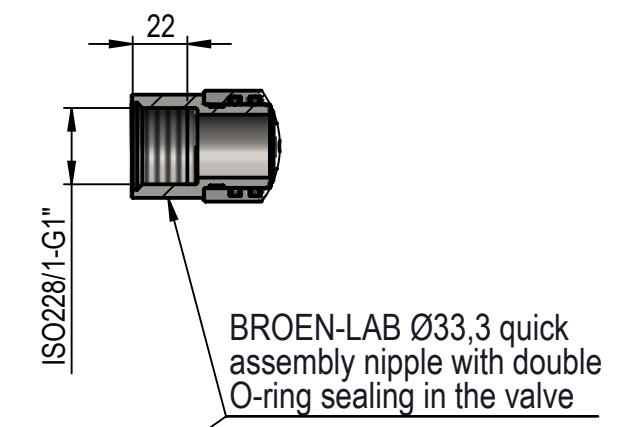


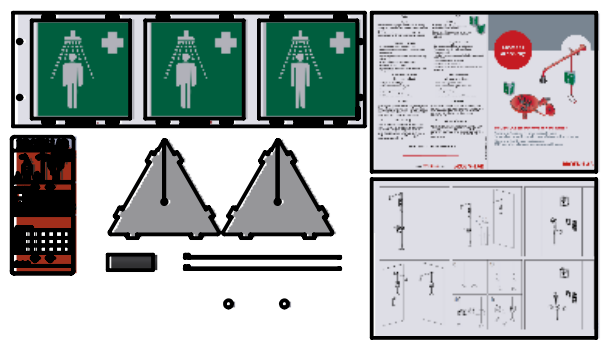
Inlet:
Female ISO228/1-G1"



Distance from floor = 2200 ±100mm



Signs & instruction: 17001910



Description: , , Body shower, over door, 316SS, Modular, ,										
							Media: Water			
							Comments: Stainless steel AISI316L, EN 1.4404			
							Drawing type: Customer drawing		Weight: 6.400 Kg	
Rev.	Pos.	Date	TM No.	Design by	Drawn by:	Change:	Designed by: LBH	Drawn by: PEC	Released on TM No.	Date (DD-MM-YY): 11-11-24
BROEN-LAB							Format: A3		Drawing No.: 28243011021000	
This drawing is our property and cannot be given to a third party, copied or otherwise used without our permission. BROEN-LAB A/S.										