

8

7

6

5

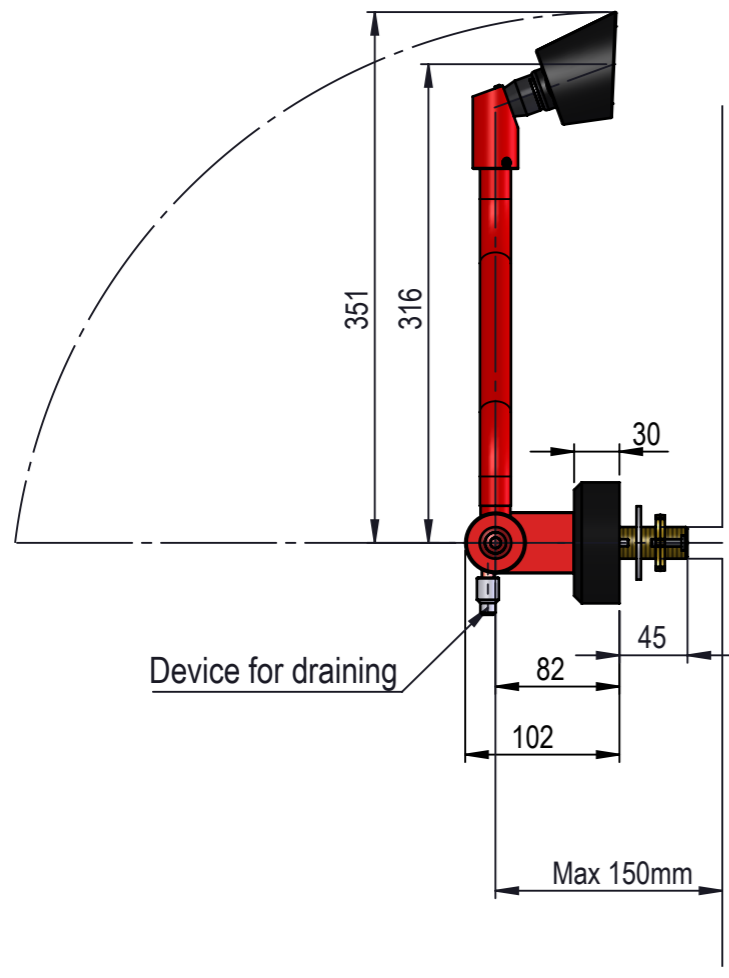
4

3

2

1

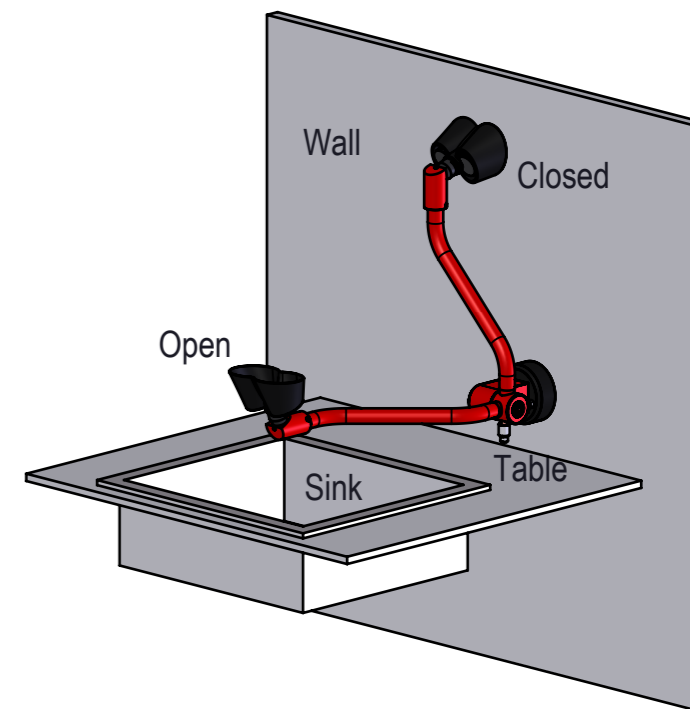
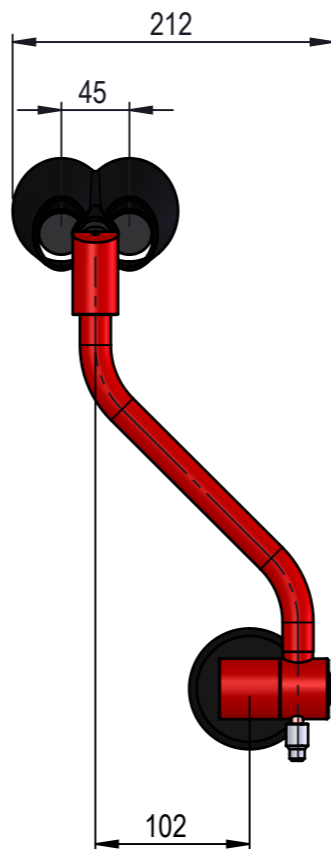
Closed position



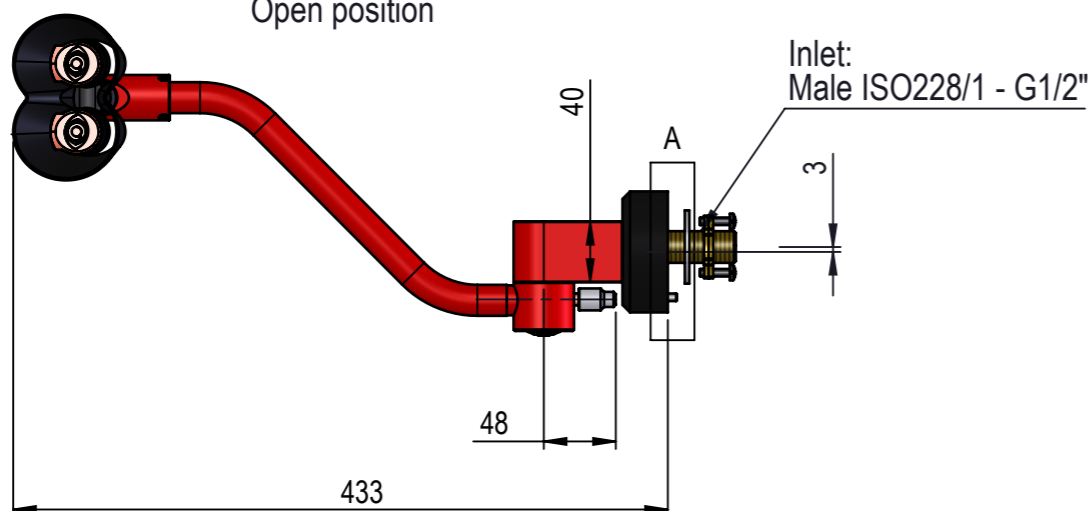
Not delivered by BROEN-LAB

Device for draining

Max 150mm

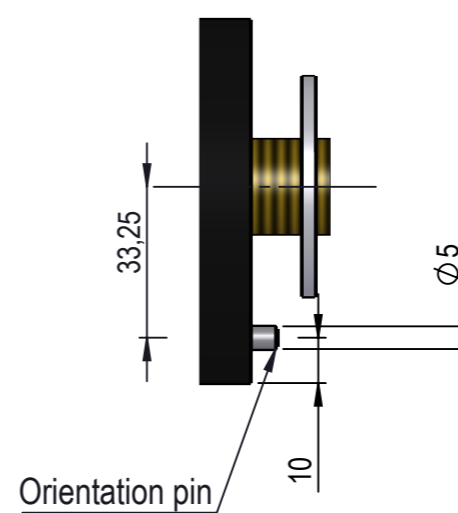


Open position

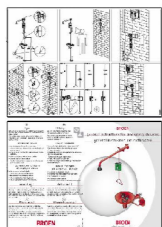


Inlet: Male ISO228/1 - G1/2"

DETAIL A



Signs & Instructions: 17001900



Description:		Eye Shower, Wall mounted, Legionella safe	
Media:		Water	
Material:			
Specification:		Right of sink	
Comments:			
Drawing type:		Customer drawing	Weight: 2.043 Kg
All dimensions marked with  are inspection dimensions			
Unspecified linear tolerances:		Unspecified angular tolerances:	
Designed by:	Drawn by:	Released on TM No.	Date:
SJE	SJE	9425	24-10-22
Format:	Drawing No.: 27991051000001C		
A3			

Rev.	Pos.	Date	TM No.	Design by	Drawn by	Change:

This drawing is our property and cannot be given to a third party, copied or otherwise used without our permission. BROEN-LAB A/S



8

7

6

5

4

3

2

1