

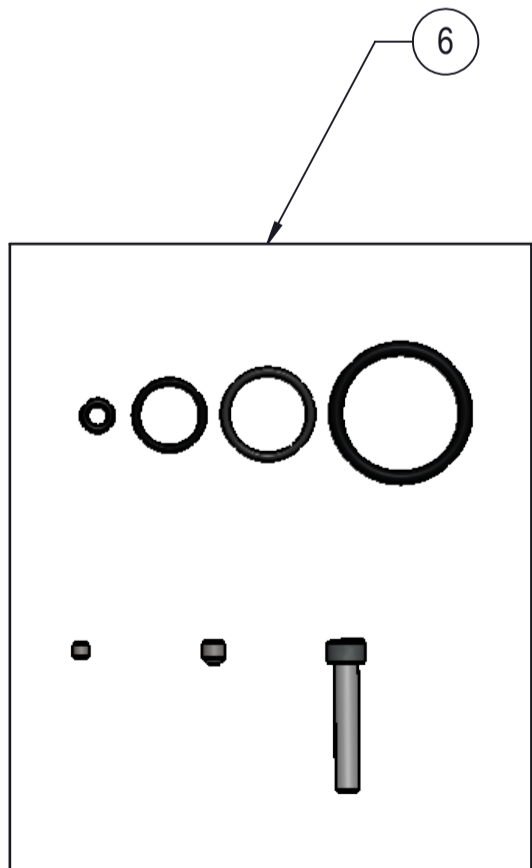
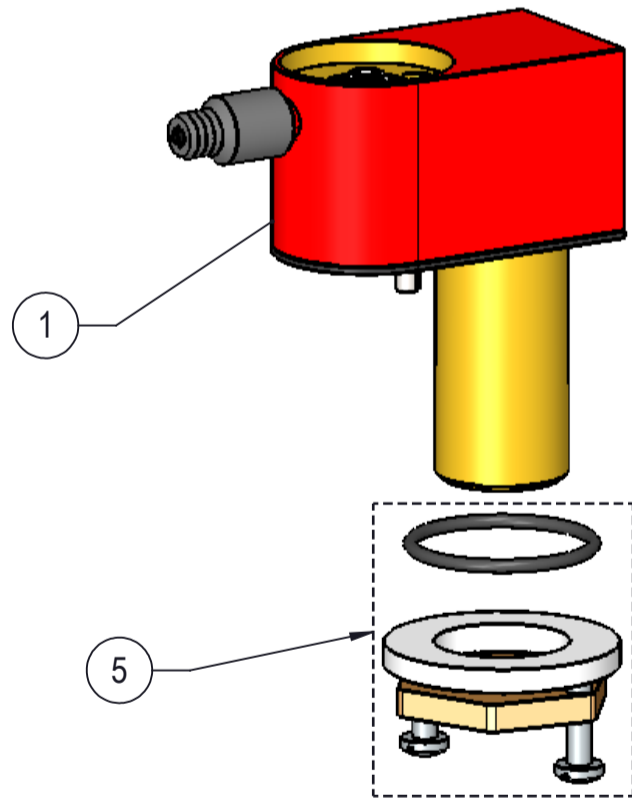
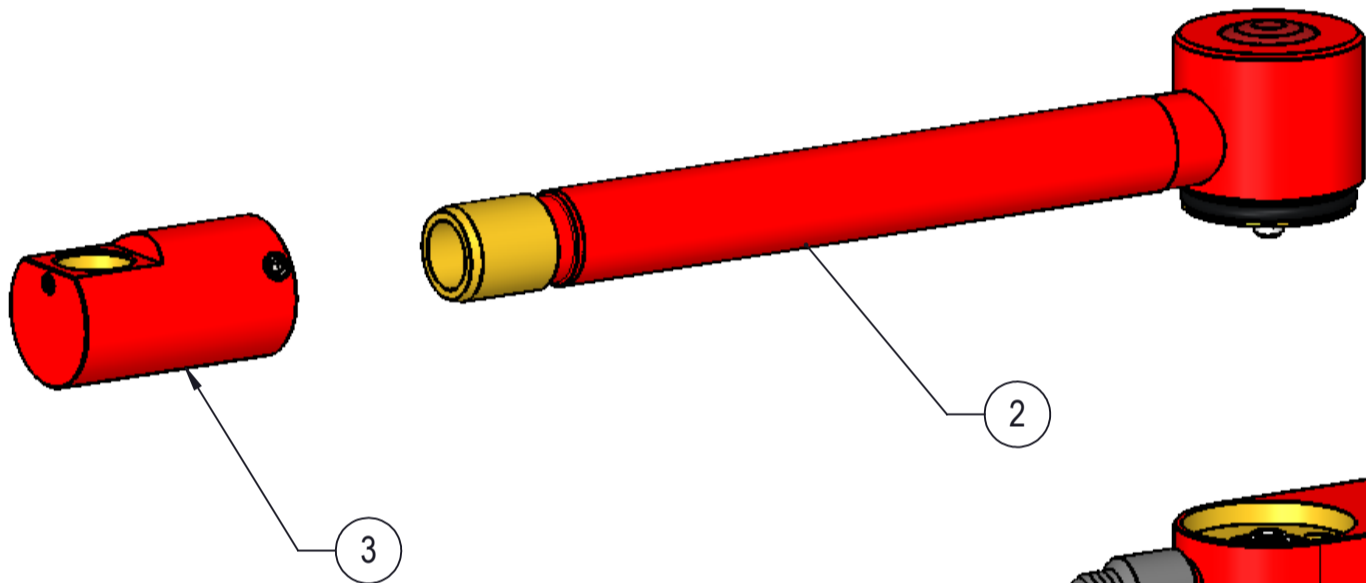
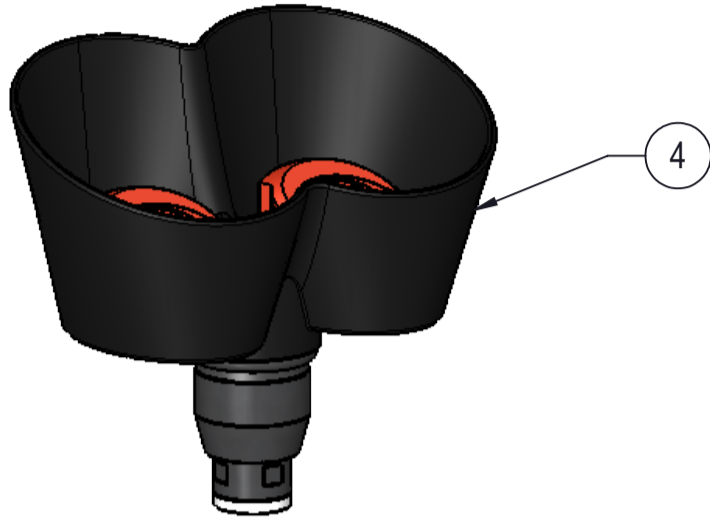
4

3

2

1

Position	Sparepart Number	Description
1	17602509	Table Fixture incl. Mounting kit
2	17601209	Swing arm
3	17601219	Eye shower unit incl. Shower head
4	17600640	Shower head
5	19849000	Mounting kit
6	17601100	O-rings & Screws package



Description: Swing-out Eyewash; right of sink	
Media: Water	
Material:	
Specification:	
Comments: Self Drain	
Drawing type: Spare part drawing	Weight: 1.751 Kg
All dimensions marked with are inspection dimensions	
Unspecified linear tolerances:	
Unspecified angular tolerances:	
Designed by: MJO	Released on TM No.:
Drawn by: MJO	Date: 13-03-26
Format: A3	Drawing No.: 27350021000021SP

Rev.	Pos.	Date	TM No.	Design by	Drawn by	Change:

BROEN-LAB This drawing is our property and cannot be given to a third party, copied or otherwise used without our permission. BROEN-LAB A/S



4

3

2

1