

Area of Application:
 Wall mounted
 Hot and cold water
 Min. Working pressure 1 Bar
 Max. working pressure 10 bar

Temperature set at 22°C

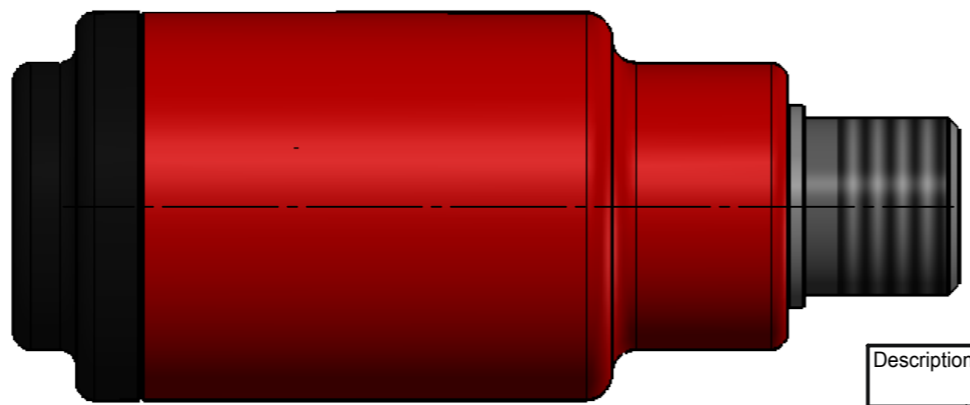
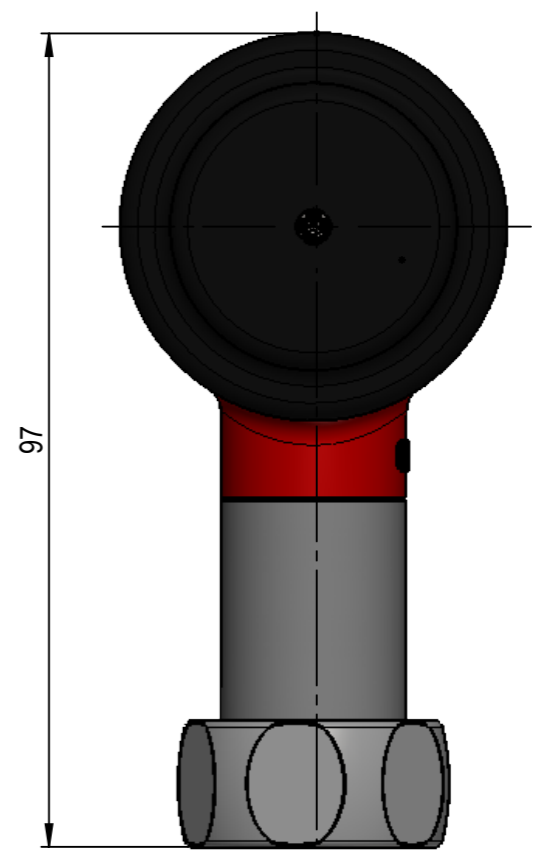
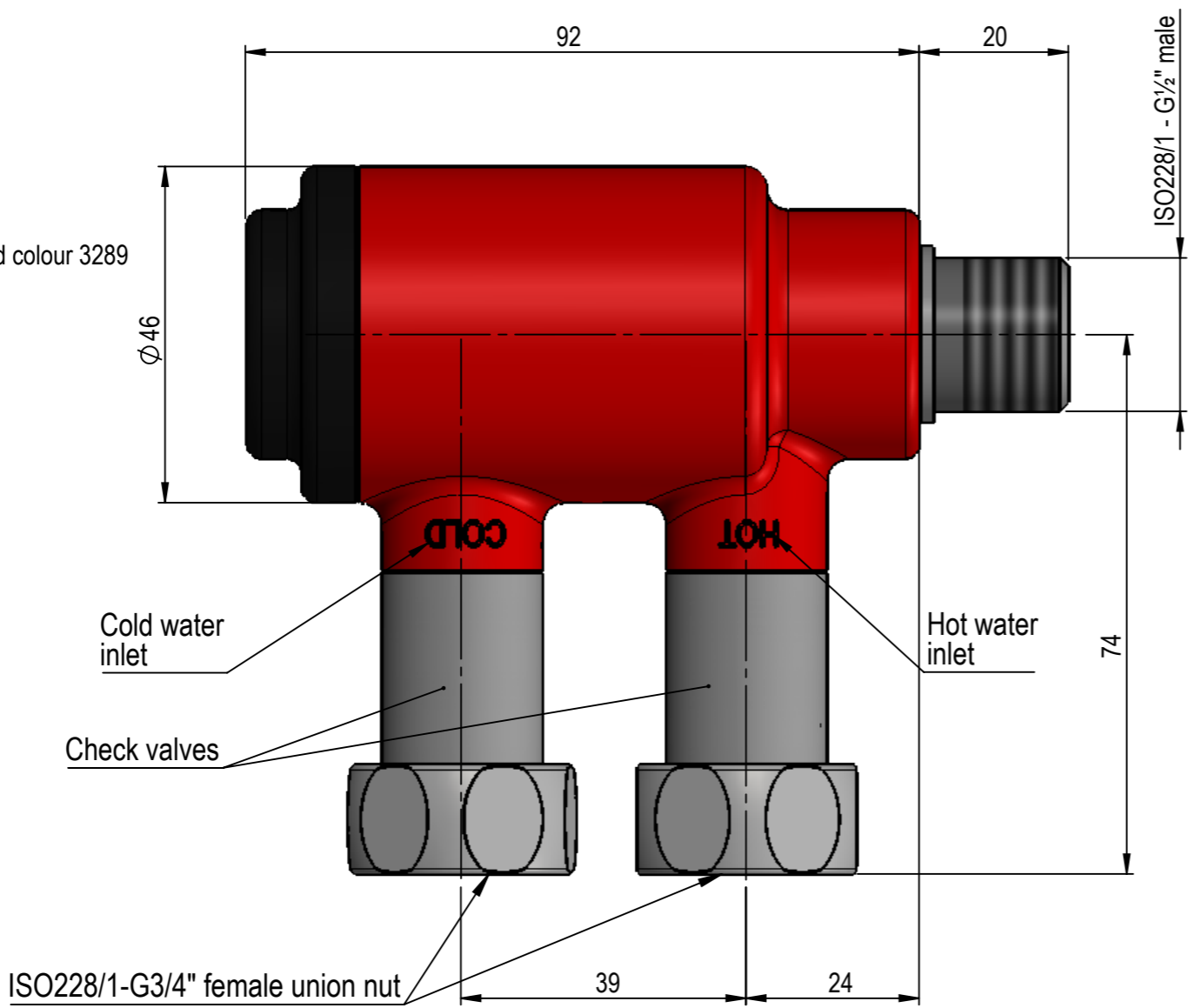
Details:

BROEN-LAB Polyester powder coated colour 3289

Materials in media contact:
 Brass
 Chrome plated, Brass
 Rubber, EPDM
 Silicone based lubricant
 POM

Inlet / outlet connection:
 ISO228/1 - G³/₄" Union nut
 ISO228/1 - G¹/₂"

Kv-values
 TMV: Kv=1,05 m³/h
 Kv=0,29 l/s



| | | | | | | | | | | |
|--|------|----------|--------|-----------|--------------------------------|---------|--|------------------|--------------------------|------------------|
| Description: , Wall mounted, ISO228/1 - G ³ / ₄ " union nut, Thermostatic mixing valve, , ISO228/1 - thread male | | | | | | | | | | |
| | | | | | Media: Hot and cold water | | | | | |
| | | | | | Comments: Intentional leak | | | | | |
| | | | | | Drawing type: Customer drawing | | | Weight: 0.613 Kg | | |
| C | | 18-09-23 | | | PEC | | | | | |
| Rev. | Pos. | Date | TM No. | Design by | Drawn by: | Change: | Designed by: | Drawn by: | Released on TM No. | Date (DD-MM-YY): |
| | | | | | | | MHL | VEF | 9381 | 23-12-22 |
| BROEN-LAB | | | | | | | Format: A3 | | Drawing No.: 27030091035 | |
| | | | | | | | This drawing is our property and cannot be given to a third party, copied or otherwise used without our permission. BROEN-LAB A/S. | | | |