

8

7

6

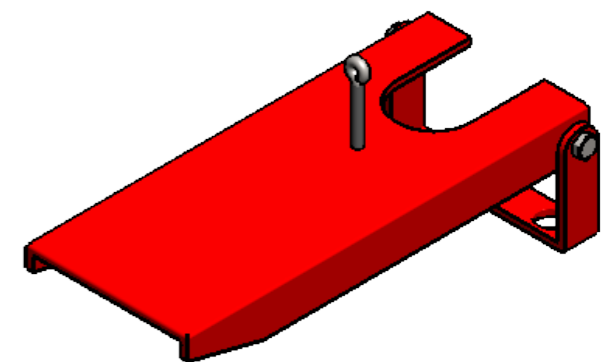
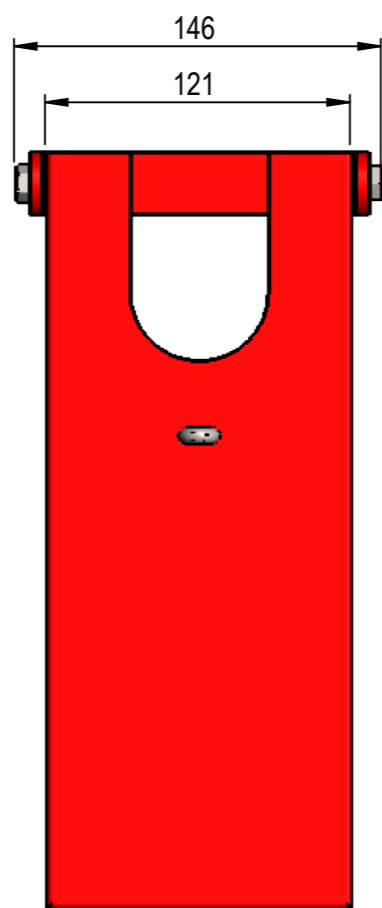
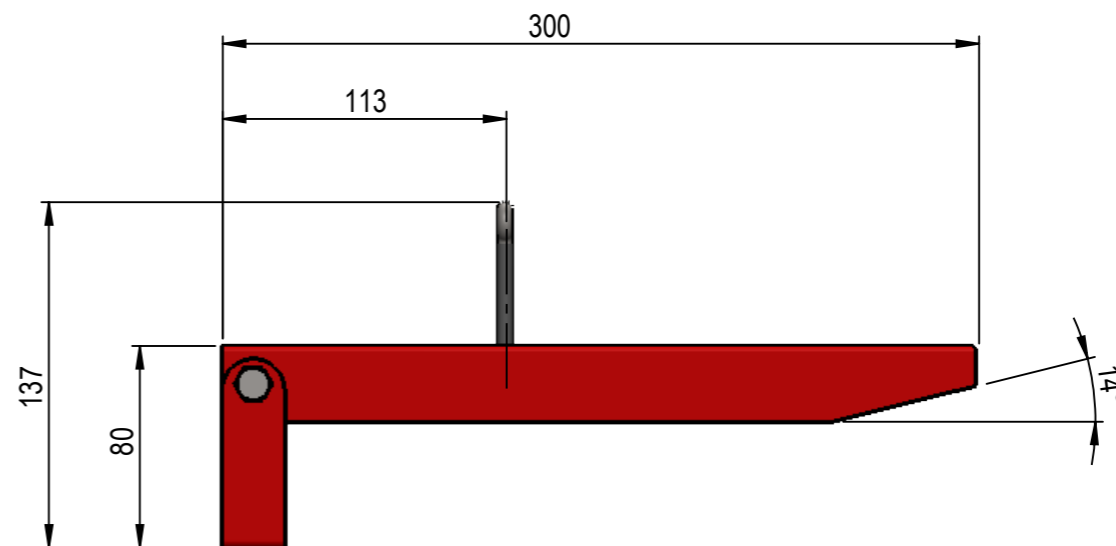
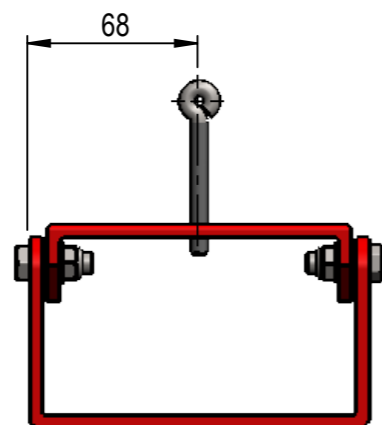
5

4

3

2

1



Description: , , Foot Treadle for Eye Showers ,

								Media:		
								Comments: Aluminum		
								Drawing type: Customer drawing		
								Weight: 2.117 Kg		
B	A4	27-08-24	7100	VEF	VEF	Changed description				
Rev.	Pos.	Date	TM No.	Design by	Drawn by:	Change:	Designed by:	Drawn by:	Released on TM No.	Date (DD-MM-YY):
							PEC	PEC		26-08-24
BROEN-LAB						This drawing is our property and cannot be given to a third party, copied or otherwise used without our permission. BROEN-LAB A/S.		Format: A3	Drawing No.:	17909909C

8

7

6

5

4

3

2

1