

4

3

2

1

H

H

G

G

F

F

E

E

D

D

C

C

B

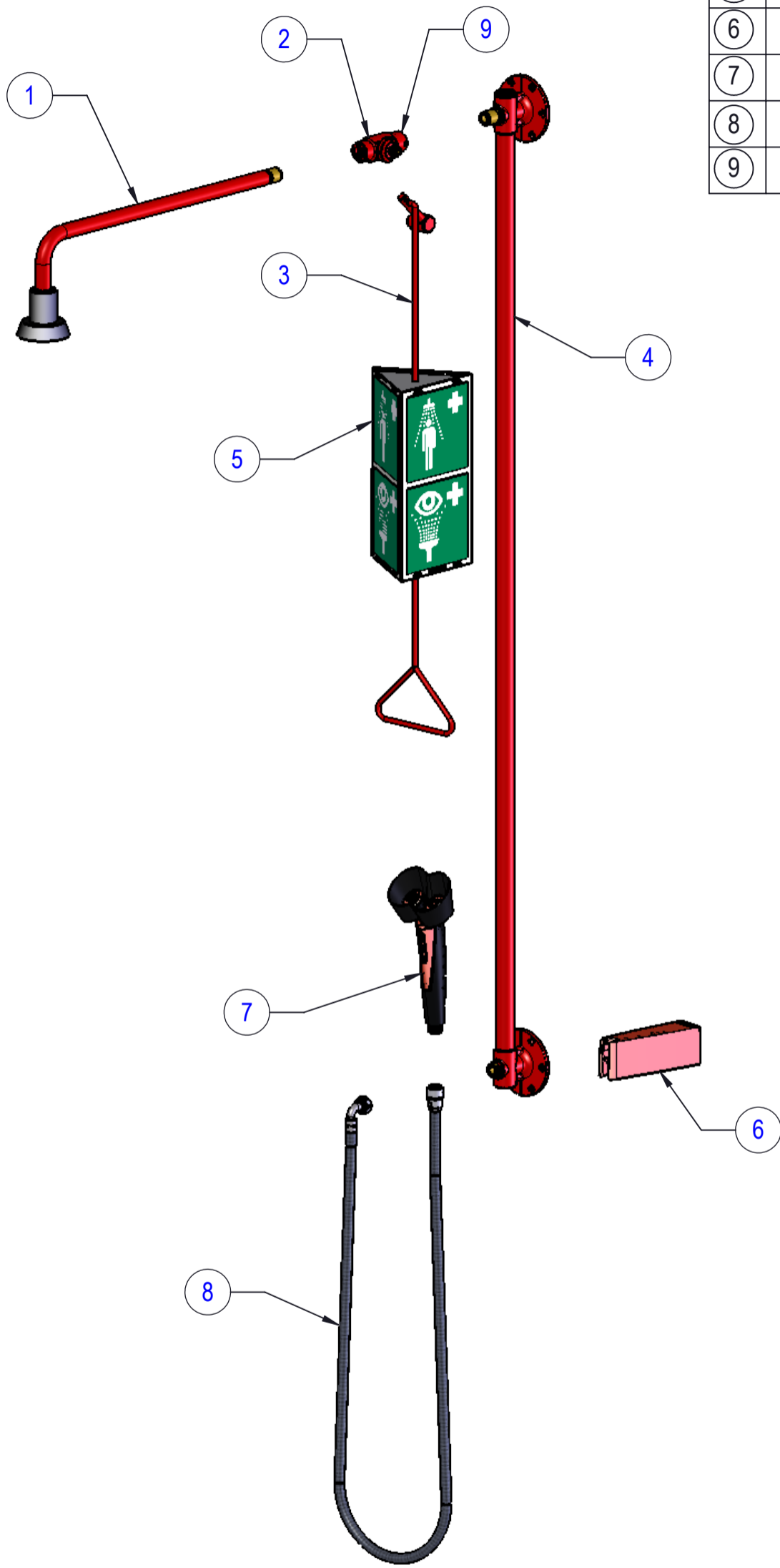
B

A

A

| | Spare part number | Description |
|---|-------------------|--|
| ① | 17481009 | Outlet pipe with showerhead |
| ② | 17468009 | Ballofix valve for ESS, short |
| ③ | 17469009 | Pull-rod incl. sign; body and eyeshower. ⑤ |
| ④ | 17600839 | Pipe and wall brackets assembly |
| ⑤ | 17001920 | Sign; body and eyeshower |
| ⑥ | 17760320 | Wall bracket for eyeshower |
| ⑦ | 27100098100001 | Handheld eyeshower |
| ⑧ | 93H45561500 | Hose with G½" female connections |
| ⑨ | 17466009 | Screws and O-rings |

EN-Label: 96M0375



| | |
|----------------|----------------------------------|
| Description: | Body and eyeshower; wall mounted |
| Media: | Water |
| Material: | |
| Specification: | |

| | |
|---------------|--------------------|
| Comments: | |
| Drawing type: | Spare part drawing |
| Weight: | 6.62 Kg |

All dimensions marked with are inspection dimensions
 Unspecified linear tolerances: Unspecified angular tolerances:

| Rev. | Pos. | Date | TM No. | Design by | Drawn by | Change: |
|------|------|------|--------|-----------|----------|---------|
| | | | | | | |

| | | | |
|--------------|-----------|---------------------|----------|
| Designed by: | Drawn by: | Released on TM No.: | Date: |
| HEM | HEM | | 20-01-21 |

BROEN-LAB This drawing is our property and cannot be given to a third party, copied or otherwise used without our permission. BROEN-LAB A/S

| | | |
|---------|--------------|------------|
| Format: | Drawing No.: | 17535009SP |
| A3 | | |

4

3

2

1