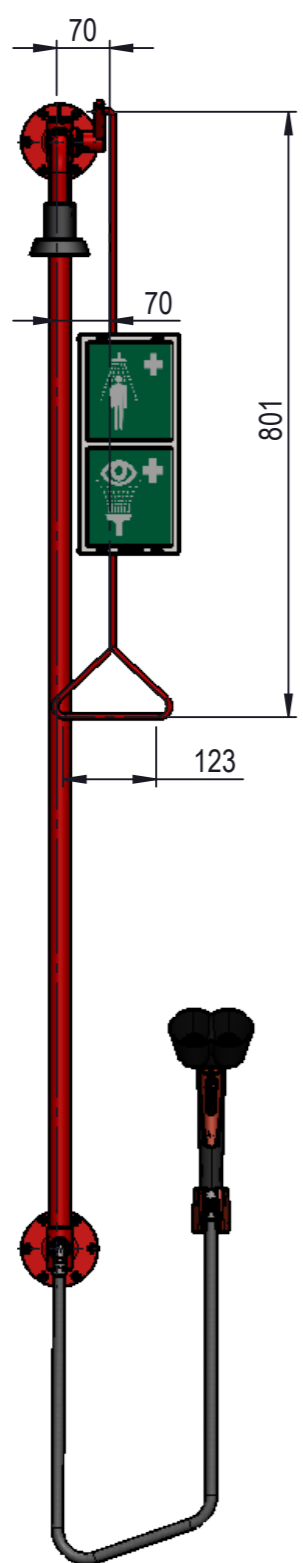


D

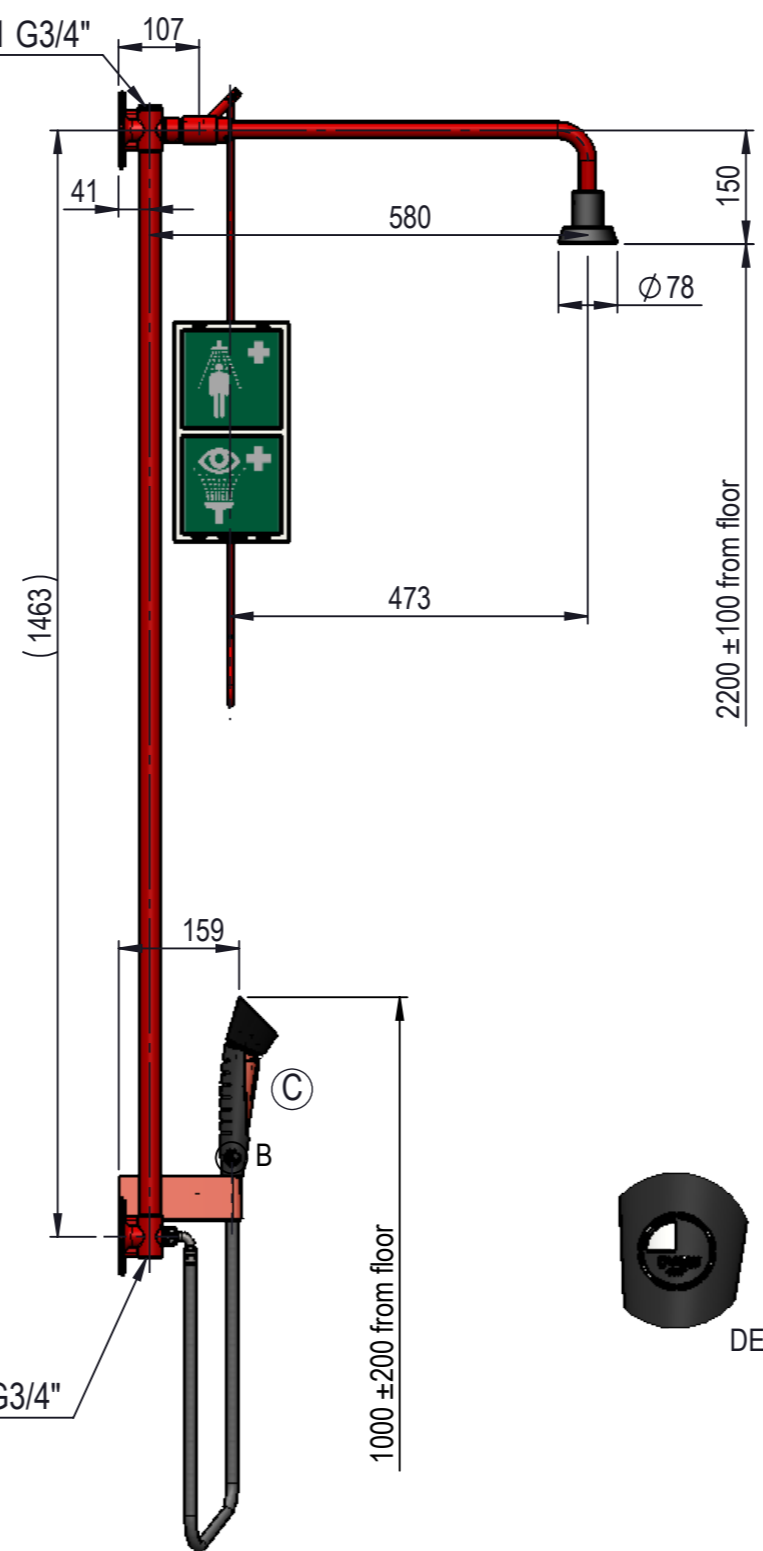
C

B

A



Inlet:  
Female ISO 228-1 G3/4"

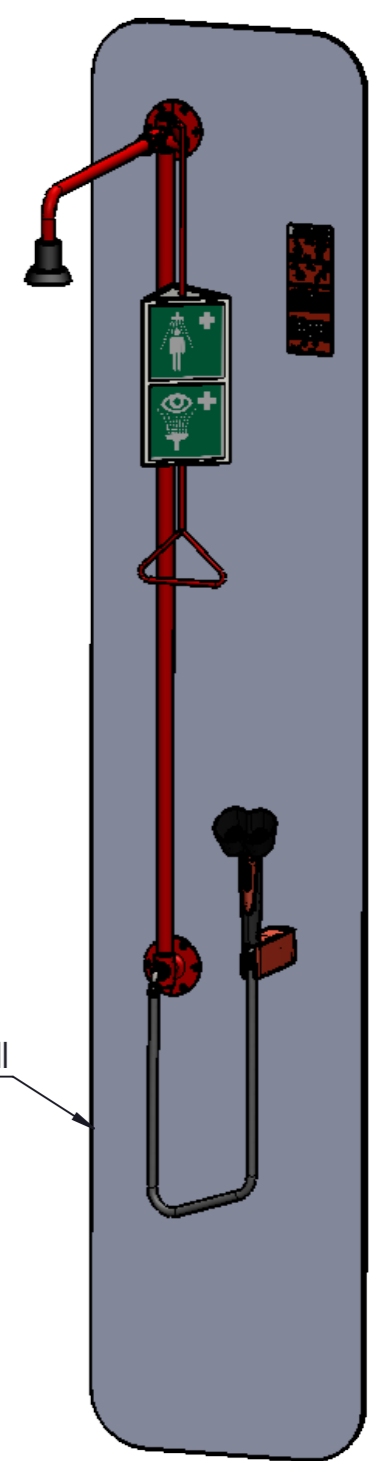


Inlet:  
Female ISO 228-1 G3/4"

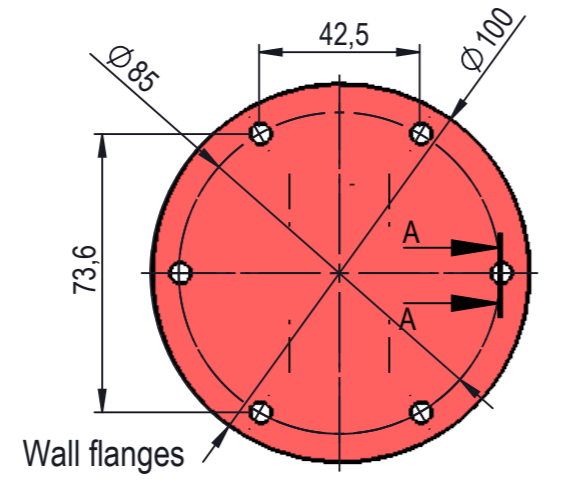
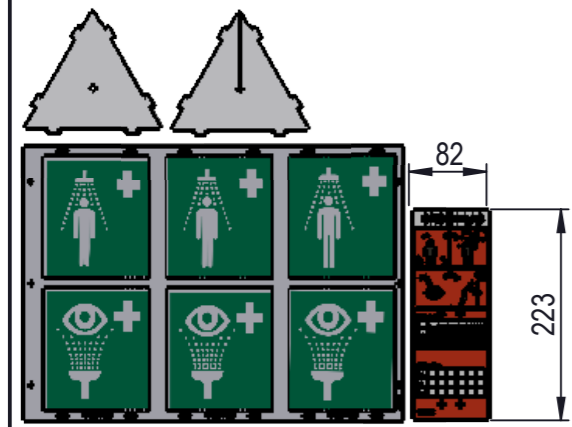


DETAIL B

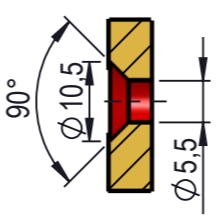
Wall



Signs & Instructions: 17001920



SECTION A-A



Description:		Body and eye shower; Wall mounted	
Media:		Water	
Material:			
Specification:		Handheld eye shower	
Comments:			
Drawing type:		Customer drawing	Weight: 7.741 Kg
All dimensions marked with  are inspection dimensions			
Unspecified linear tolerances:		Unspecified angular tolerances:	
Designed by:	Drawn by:	Released on TM No.:	Date:
HEM	HEM	7023	31-10-18
Format:	Drawing No.:	17535009C	
A3			

D	13-01-20			mbm	
E	15-09-20			sje	
F	20-06-22			CGL	
G	C5	26-04-24	9953	LEJ	PEC
Dimention indicative					
Rev.	Pos.	Date	TM No.	Design by	Drawn by:
					Change:
This drawing is our property and cannot be given to a third party, copied or otherwise used without our permission. BROEN-LAB A/S					

**BROEN-LAB**

