

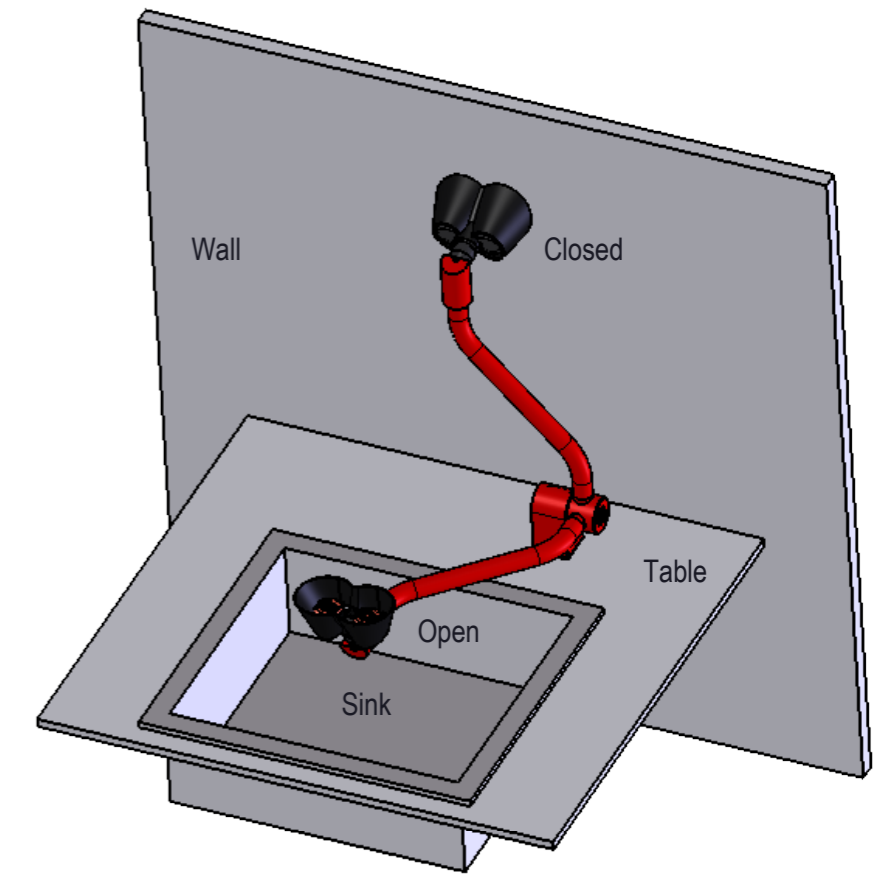
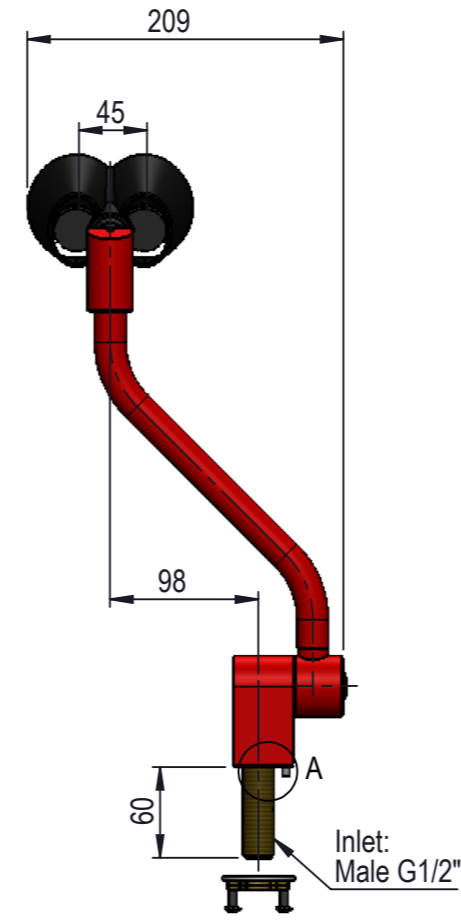
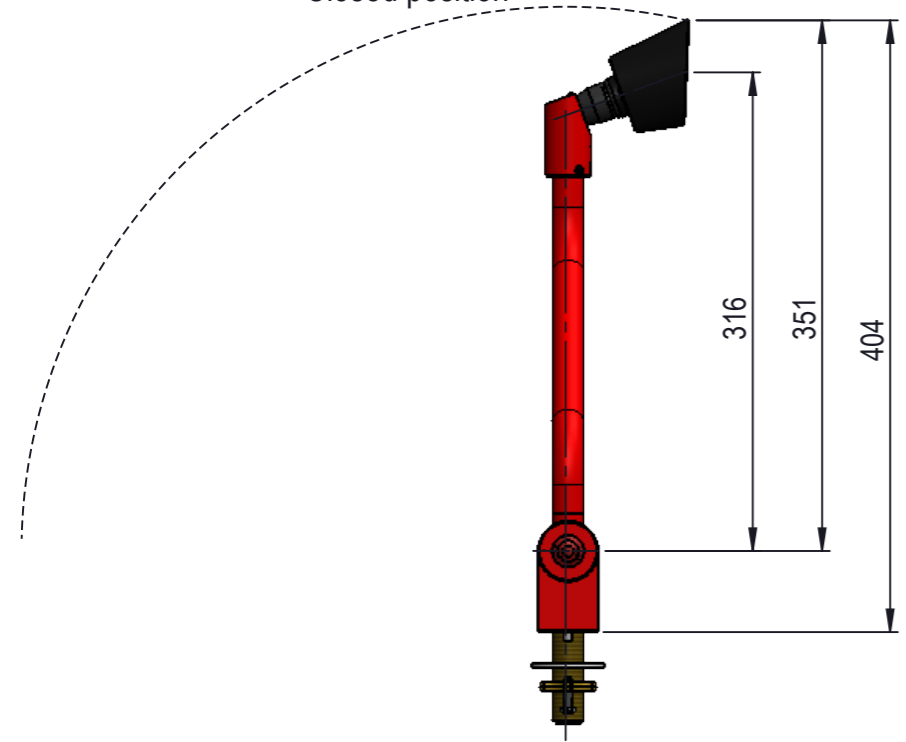
D

C

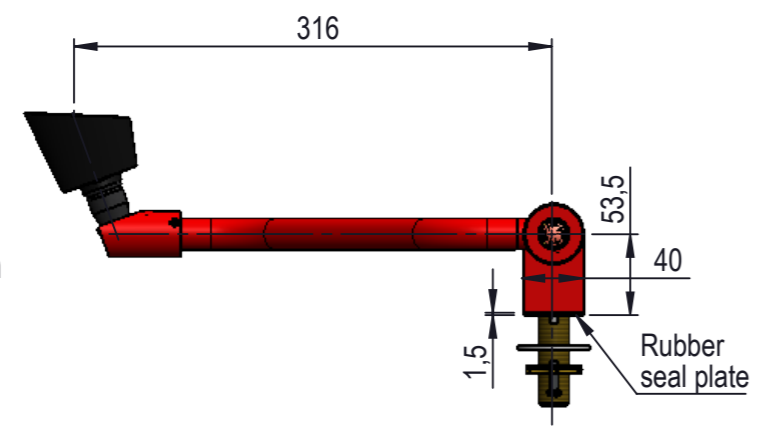
B

A

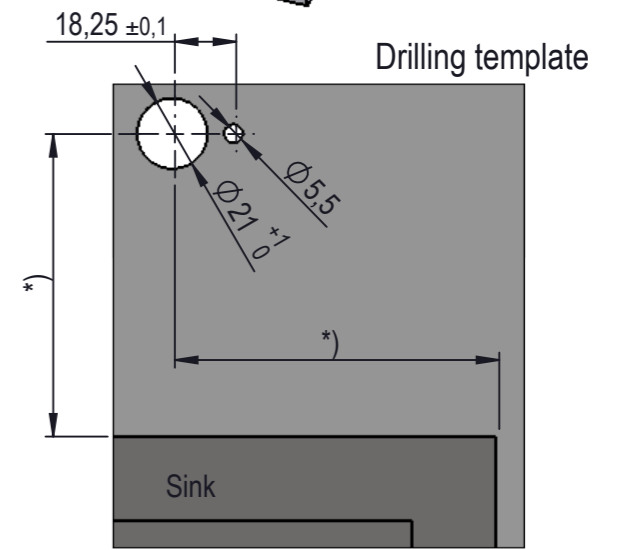
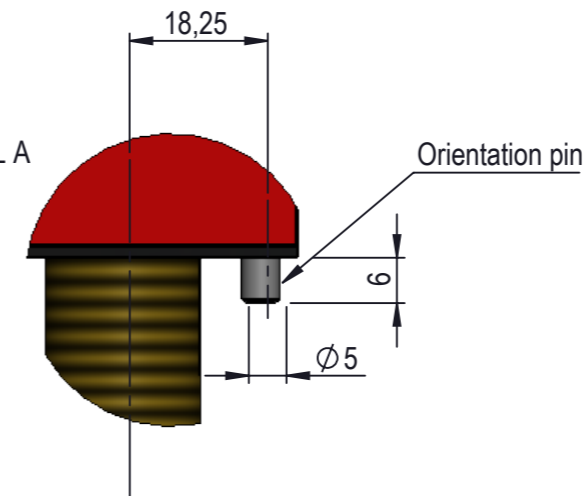
Closed position



Open position

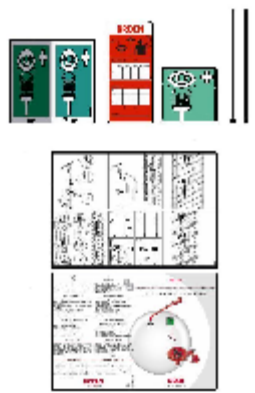


DETAIL A



\*) These distances is depending of the size of the sink, and where the eyeshower is wanted to be placed in the sink.

Signs & Instructions:  
17001900



Description:		Eye shower; Table mounted; Swing down	
Media:		Water	
Material:			
Specification:		Right of sink	
Comments:			
Drawing type:		Customer drawing	Weight: 1.809 Kg
All dimensions marked with $\varnothing$ are inspection dimensions			
Unspecified linear tolerances:		Unspecified angular tolerances:	
Designed by:	Drawn by:	Released on TM No.:	Date:
HEM	HEM	7604	26-11-20
Format:	Drawing No.:	17527009C	
A3			

Rev.	Pos.	Date	TM No.	Design by	Drawn by:	Change:
B		10-03-21			HEM	
C		14-06-22			PEC	

**BROEN-LAB**  
This drawing is our property and cannot be given to a third party, copied or otherwise used without our permission. BROEN-LAB A/S

